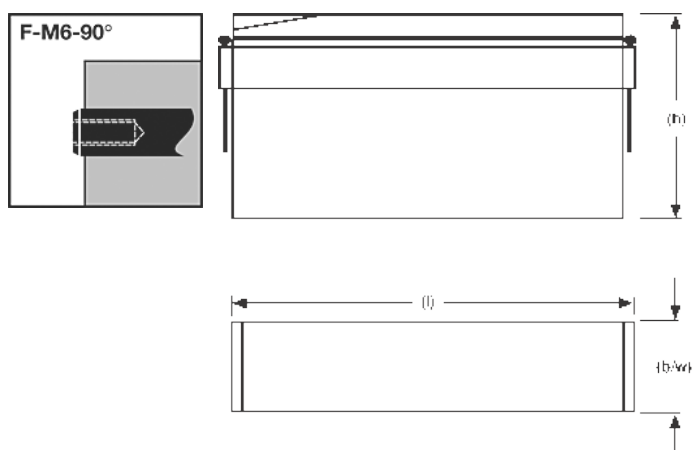


Marathon – M12V155FT data sheet



Terminal: Drawing:



Specifications:

Part numbers not valid for North America, use type for ordering!

Discharge figures are also valid for **UL 94 V0** version. Change "H" to "V" in the part number.

Example

Standard	NAMF120155	H	MOFA
UL 94 V0	NAMF120155	V	MOFA

[Switch to: Discharge at 25 °C/inches/lb](#)

Exide type designation	Nom. Voltage V	Nom. capacity C ₁₀ 1.80 Vpc 20° C Ah	Nom. capacity C ₈ 1.75 Vpc 25° C Ah	Nom. capacity C ₁ 1.60 Vpc 20° C Ah	Length (l) max. mm	Width (b/w) max. mm	Height (h1) max. mm	Weight approx. kg	Internal resistance mOhm	Terminal
M12V155FT	12	150	155	105	559	124	283	53.8	4.1	F-M6-90°

Constant-current discharge in A @ 20 °C

Part number	Vpc	15 min	30 min	1 h	1,5 h	2 h	3 h	4 h	5 h	6 h	8 h	10 h	20 h	24 h
NAMF120155HM0FA	1.94	122	95.1	74.0	56.2	46.3	33.5	26.3	21.8	18.7	14.4	11.7	6.30	5.28
NAMF120155HM0FA	1.92	149	108	78.8	59.7	49.0	35.1	27.6	23.0	19.8	15.3	12.5	6.60	5.60
NAMF120155HM0FA	1.90	177	122	83.9	63.4	51.9	37.0	29.1	24.1	20.7	16.3	13.3	7.00	5.91
NAMF120155HM0FA	1.87	196	136	89.5	67.2	54.8	39.0	30.6	25.3	21.7	17.1	13.9	7.30	6.18
NAMF120155HM0FA	1.85	220	150	92.8	69.6	56.8	40.3	31.6	26.1	22.4	17.6	14.3	7.60	6.35
NAMF120155HM0FA	1.83	233	157	95.8	71.5	58.1	41.2	32.3	26.7	22.9	17.9	14.5	7.70	6.50
NAMF120155HM0FA	1.80	254	167	99.8	73.8	59.6	42.2	33.1	27.4	23.4	18.4	14.9	7.90	6.64
NAMF120155HM0FA	1.78	265	172	101	74.9	60.3	42.8	33.5	27.7	23.8	18.6	15.1	7.90	6.72
NAMF120155HM0FA	1.75	274	174	103	75.7	60.8	43.2	33.8	28.0	24.0	18.9	15.3	8.00	6.79
NAMF120155HM0FA	1.73	287	177	104	76.2	61.2	43.5	34.1	28.2	24.1	18.9	15.4	8.00	6.81
NAMF120155HM0FA	1.70	300	179	105	76.9	61.7	43.8	34.3	28.4	24.3	19.0	15.4	8.00	6.83
NAMF120155HM0FA	1.67	307	180	106	77.6	62.2	44.2	34.5	28.5	24.4	19.1	15.5	8.00	6.86
NAMF120155HM0FA	1.65	312	182	106	78.0	62.5	44.4	34.7	28.6	24.5	19.2	15.6	8.20	6.88

Constant-power discharge in W/block @ 20 °C

Part number	Vpc	15 min	30 min	1 h	1,5 h	2 h	3 h	4 h	5 h	8 h	10 h	24 h
NAMF120155HM0FA	1.94	1337	1309	862	649	530	385	306	257	174	142	64.6

NAMF120155HM0FA	1.92	1626	1407	916	684	556	403	321	269	184	150	67.9
NAMF120155HM0FA	1.90	1916	1517	975	718	579	419	335	282	195	159	71.2
NAMF120155HM0FA	1.87	2350	1634	1042	758	605	440	351	295	203	165	74.1
NAMF120155HM0FA	1.85	2466	1717	1083	786	626	454	362	303	209	170	75.9
NAMF120155HM0FA	1.83	2588	1776	1112	805	641	464	369	309	213	173	77.3
NAMF120155HM0FA	1.80	2772	1853	1148	829	658	475	377	316	217	177	78.8
NAMF120155HM0FA	1.78	2874	1892	1166	841	668	482	382	320	220	179	79.6
NAMF120155HM0FA	1.75	3014	1910	1171	847	673	484	386	322	220	180	80.3
NAMF120155HM0FA	1.73	3062	1928	1177	853	679	488	388	324	221	180	80.7
NAMF120155HM0FA	1.70	3137	1945	1183	857	682	491	390	326	222	180	80.9
NAMF120155HM0FA	1.67	3218	1961	1189	862	686	494	392	327	222	181	81.2
NAMF120155HM0FA	1.65	3267	1977	1196	865	688	496	393	328	223	182	81.3