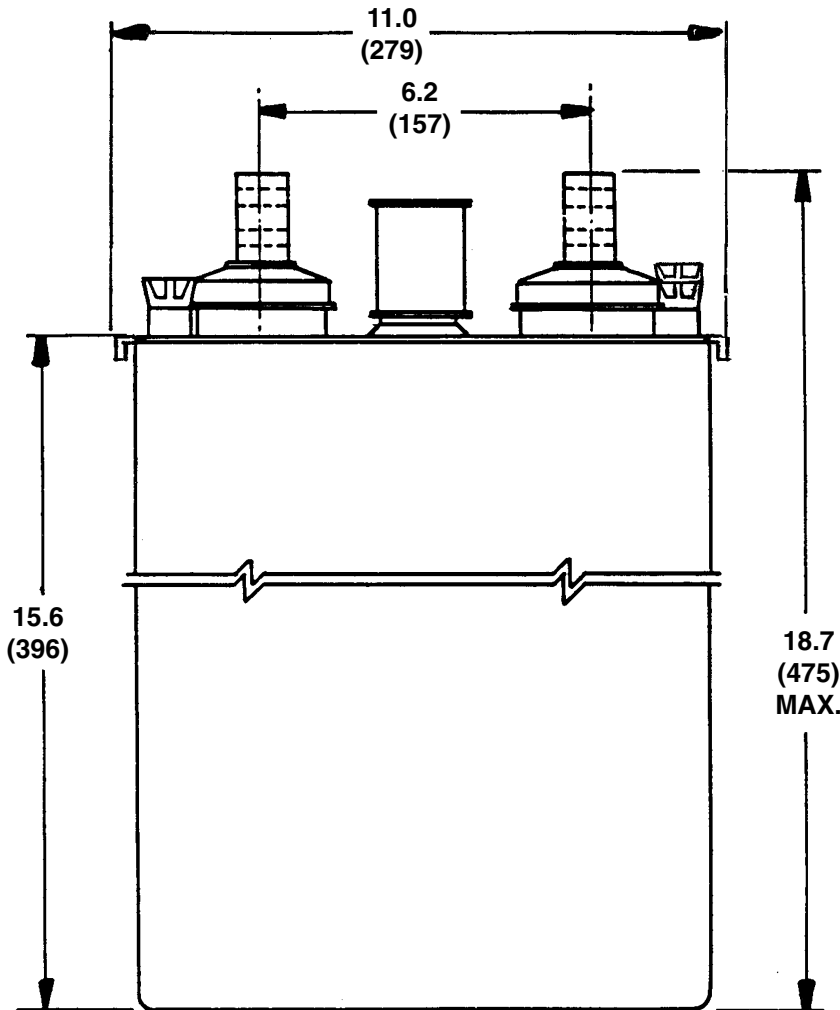


Cell Outline



Type E



TYPE EA/EC/ES

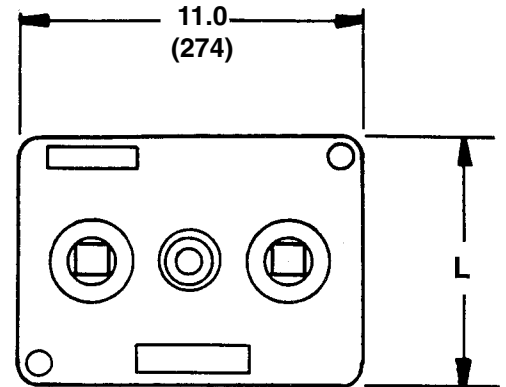


FIG. #1

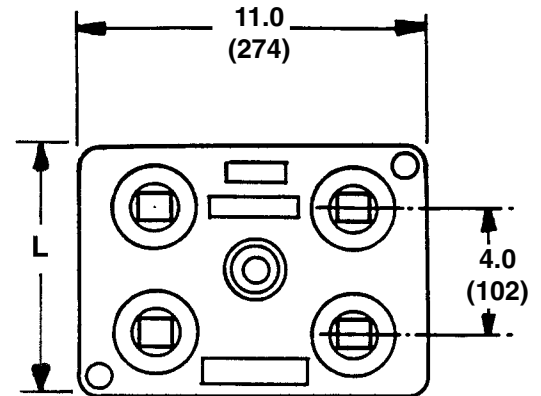


FIG. #2



CELL TYPE	FIG#	"L"
EA/EC 5,7,9	1	5.1 (130)
EA/EC 11,13	1	6.6 (168)
EA/EC 15,17	2	8.1 (206)
EA/EC 19,21	2	10.1 (257)
ES 5,7,9,11,13	1	5.1 (130)
ES 15,17,19,21	1	6.6 (168)
ES 23,25,27	2	8.1 (206)
ES 29,31,33,35,37	2	10.1(257)

Global Headquarters: P.O. Box 14145, Reading, PA 19612-4145
610-208-1991 • 800-538-3627
FAX 610-372-8613

US Sales Offices
Eastern Region: 215-491-3700 • 800-346-4402
FAX 215-491-2304

Western Region: 510-887-2046 • 888-887-2046
FAX 510-887-6309

International: 610-208-1843
FAX 610-208-1851

Regional Sales Office
EnerSys Canada: 905-790-1212
FAX 905-790-7070

EnerSys Europe Ltd: 44-149-477-5778
FAX 44-149-478-5450

EnerSys Argentina S.A.: 54-114-736-3000
FAX 54-114-736-3200

ESB de Mexico SA DE: 52-8-329-6405
FAX 52-8-329-6485

Acumuladores Narvit S.A., Brazil: 55-11-6412-7522
FAX 55-11-641-20932

Visit us on the web at: www.enersysinc.com