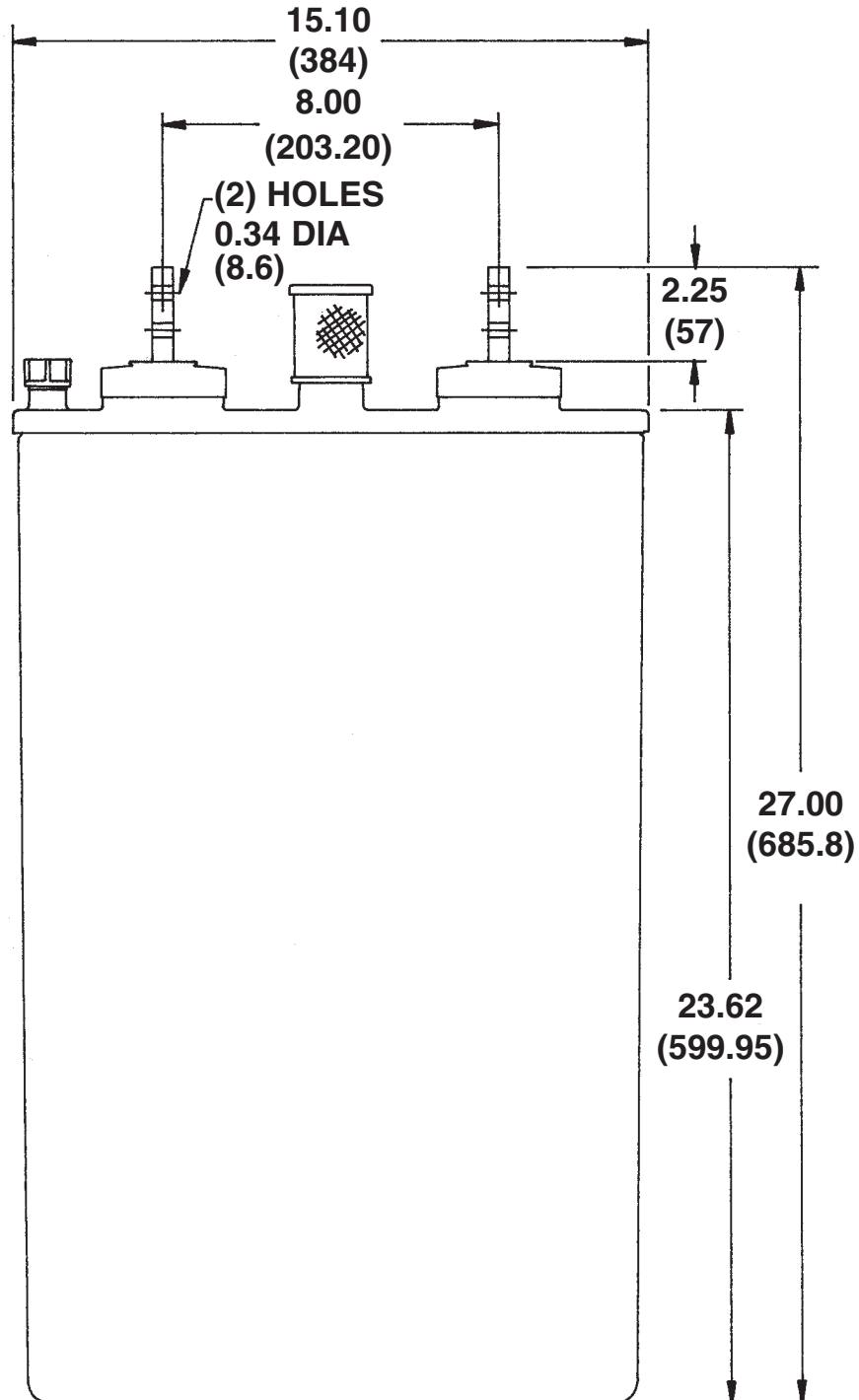


Cell Outline

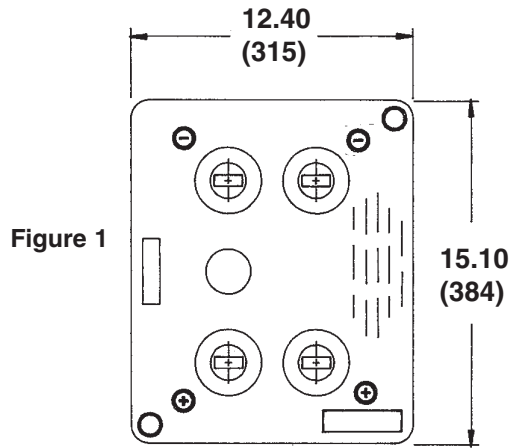


Type G

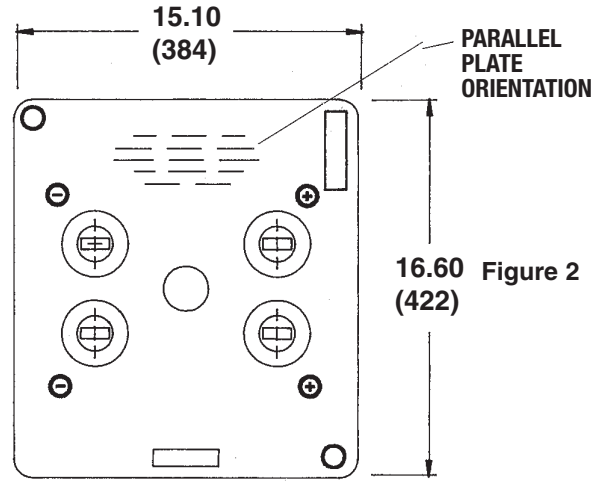


RAIL AND TERMINAL POST POSITIONS

SINGLE CELLS

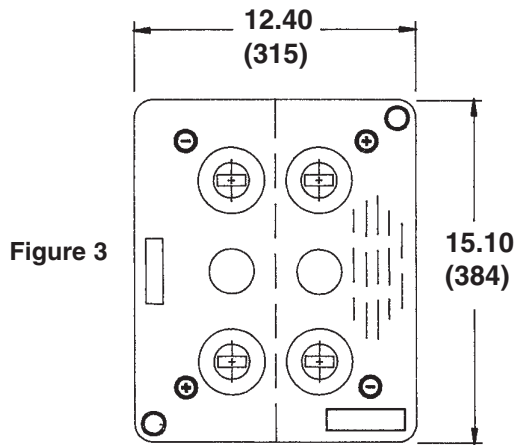


SINGLE CELL UNIT
GA/GC 25 TO 33 PLATE
GU/GT 15 TO 21 PLATE
GW-17

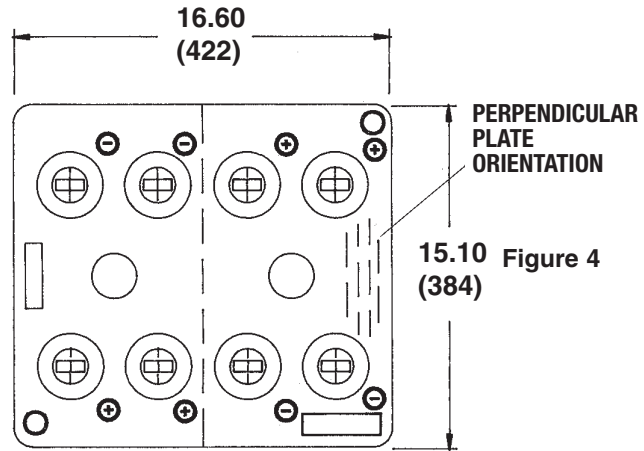


SINGLE CELL UNIT
GA/GC 35 TO 45 PLATE
GU/GT 23 TO 45 PLATE

TWO CELL UNITS



TWO CELL UNIT
GA/GC 9 TO 15 PLATE
GU/GT 9 TO 13 PLATE
GN 13 AND 15 PLATE



TWO CELL UNIT
GA/GC/GN 17 TO 23 PLATE

CELL TYPE	FIG. NO.	L	CELL PER UNIT
GC-25 to 33 GU/GT-15 to 21	1	12.40 (315)	1
GC-35 to 45 GU/GT-23 to 45	2	15.10 (384)	
GC-9 to 15 GU/GT-9 to 13 GN-13 & 15	3	12.40 (315)	2
GC/GN-17 to 23	4	16.60 (422)	



Global Headquarters: P.O. Box 14145, Reading, PA 19612-4145
 1-610-208-1991 • 1-800-538-3627
 FAX 1-610-372-8613

US Sales Offices
 Eastern Region: 1-800-346-4402 • 1-215-491-3700
 Western Region: 1-800-423-4667 • 1-562-949-4266

Regional Sales Offices
 EnerSys Canada: 1-905-790-1212
 ESB de Mexico SA DE: 52-8-329-6405

EnerSys Inc. has locations worldwide to serve your needs: for additional information please visit our website at www.enersysinc.com or contact us at 1-800-538-3627.