



**data safe™**  
DXC

---

PERFORMANCE  
SPECIFICATIONS

---



**EnerSys™**  
Power/Full Solutions



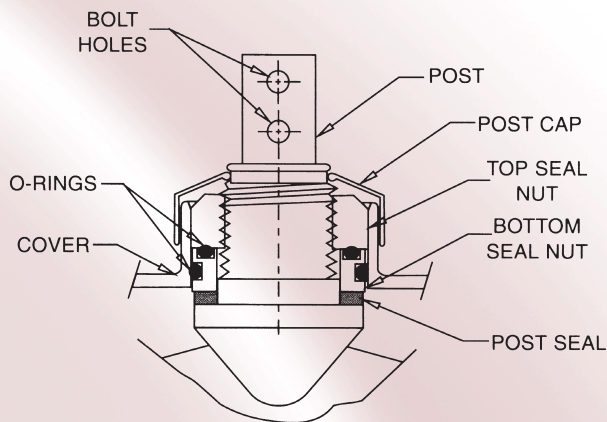


## General Specifications

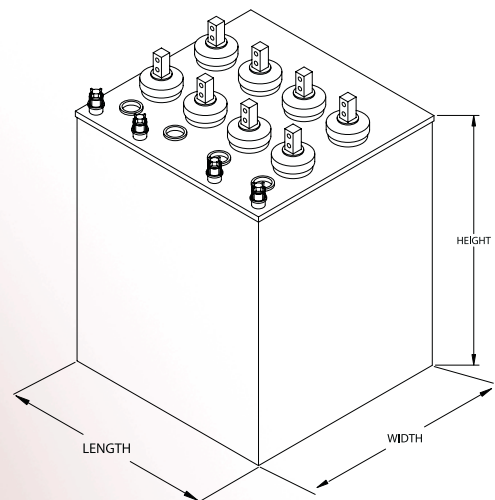
| Type*   | Number of Cells | Nominal Voltage (V) | Watts/Cell   |  | Nominal Dimensions |       |       |       |        |       | Weights - Volumes |       |                 |       |                           |       |      |      |
|---------|-----------------|---------------------|--|--|--------------------|-------|-------|-------|--------|-------|-------------------|-------|-----------------|-------|---------------------------|-------|------|------|
|         |                 |                     | 15 min. rate to 1.67Vpc @ 77°F (25°C) (1.215 S.G.) | 15 min. rate to 1.67Vpc @ 77°F (25°C) (1.250 S.G.) | Length**           |       | Width |       | Height |       | Unpacked          |       | Domestic Packed |       | Electrolyte Only 1.215 sg |       |      |      |
|         |                 |                     |  |  | mm                 | in    | mm    | in    | mm     | in    | kg                | lbs   | kg              | lbs   | kg                        | lbs   | l    | gal  |
| 4DXC-5  | 4               | 8                   | 594  | 653  | 241                | 9.50  | 406   | 16.00 | 558    | 22.00 | 116.4             | 256.0 | 119.5           | 263.0 | 36.4                      | 80.0  | 28.4 | 7.5  |
| 4DXC-7  | 4               | 8                   | 883  | 971  | 241                | 9.50  | 406   | 16.00 | 558    | 22.00 | 137.7             | 303.0 | 141.8           | 312.0 | 31.8                      | 70.0  | 25.4 | 6.7  |
| 4DXC-9  | 4               | 8                   | 1164   | 1280   | 241                | 9.50  | 406   | 16.00 | 558    | 22.00 | 160.5             | 353.0 | 152.7           | 363.0 | 28.6                      | 63.0  | 22.7 | 6.0  |
| 4DXC-11 | 4               | 8                   | 1464   | 1610   | 424                | 16.70 | 406   | 16.00 | 576    | 22.68 | 230.5             | 507.0 | 237.3           | 522.0 | 66.4                      | 146.0 | 53.0 | 14.0 |
| 4DXC-13 | 4               | 8                   | 1730   | 1903   | 424                | 16.70 | 406   | 16.00 | 576    | 22.68 | 253.2             | 557.0 | 260.4           | 573.0 | 62.7                      | 138.0 | 49.2 | 13.0 |
| 4DXC-15 | 4               | 8                   | 1987   | 2185   | 424                | 16.70 | 406   | 16.00 | 576    | 22.68 | 275.5             | 606.0 | 283.6           | 624.0 | 59.1                      | 130.0 | 47.3 | 12.5 |
| 4DXC-17 | 4               | 8                   | 2236   | 2459   | 424                | 16.70 | 406   | 16.00 | 576    | 22.68 | 298.2             | 656.0 | 306.8           | 675.0 | 55.4                      | 122.0 | 44.7 | 11.8 |
| 4DXC-19 | 4               | 8                   | 2515   | 2767   | 513                | 20.20 | 406   | 16.00 | 576    | 22.68 | 354.4             | 781.3 | 363.0           | 800.3 | 62.5                      | 137.7 | 51.5 | 13.6 |
| 4DXC-21 | 4               | 8                   | 2891   | 3180   | 513                | 20.20 | 406   | 16.00 | 576    | 22.68 | 376.6             | 830.3 | 385.2           | 849.3 | 59.2                      | 130.5 | 48.8 | 12.9 |
| 2DXC-23 | 2               | 4                   | 3099   | 3408   | 308                | 12.12 | 406   | 16.00 | 576    | 22.68 | 215.1             | 473.0 | 222.4           | 489.3 | 40.6                      | 89.3  | 32.4 | 8.6  |
| 2DXC-25 | 2               | 4                   | 3299   | 3628   | 308                | 12.12 | 406   | 16.00 | 576    | 22.68 | 227.0             | 499.3 | 234.2           | 515.3 | 38.8                      | 85.3  | 31.0 | 8.2  |
| 2DXC-27 | 2               | 4                   | 3702   | 4072   | 424                | 16.70 | 406   | 16.00 | 576    | 22.68 | 266.8             | 587.0 | 274.5           | 604.0 | 65.0                      | 143.0 | 51.8 | 13.7 |
| 2DXC-29 | 2               | 4                   | 3943   | 4337   | 424                | 16.70 | 406   | 16.00 | 576    | 22.68 | 278.6             | 613.0 | 287.2           | 632.0 | 63.1                      | 139.0 | 50.3 | 13.3 |
| 2DXC-31 | 2               | 4                   | 4176   | 4593   | 424                | 16.70 | 406   | 16.00 | 576    | 22.68 | 290.0             | 638.0 | 298.6           | 657.0 | 61.4                      | 135.0 | 48.4 | 12.9 |
| 2DXC-33 | 2               | 4                   | 4404   | 4844   | 424                | 16.70 | 406   | 16.00 | 576    | 22.68 | 301.4             | 663.0 | 310.0           | 682.0 | 59.1                      | 130.0 | 47.3 | 12.5 |
| 2DXC-35 | 2               | 4                   | 4626   | 5088   | 424                | 16.70 | 406   | 16.00 | 576    | 22.68 | 309.0             | 680.0 | 318.2           | 700.0 | 57.3                      | 126.0 | 45.8 | 12.1 |

\* Prefix indicates number of total cells per jar. Suffix number indicates total plates per cell.

\*\* 0.25 inches must be added between units for spacing purposes when calculating total battery length.



Exclusive Slide-Lock™ Post Seal



1.250 Specific Gravity

Discharge Rates in kW per Cell\*\* to 1.75Vpc at 25°C (77°F)\*

| Type           | Minutes |       |       |       |       |       |       |       |       |       |       |       |       |       | Hours |       |       |       |
|----------------|---------|-------|-------|-------|-------|-------|-------|-------|-------|-------|-------|-------|-------|-------|-------|-------|-------|-------|
|                | 5       | 10    | 11    | 12    | 13    | 14    | 15    | 16    | 17    | 18    | 19    | 20    | 25    | 30    | 45    | 60    | 1.5   | 2     |
| <b>DXC-5B</b>  | 0.833   | 0.697 | 0.675 | 0.654 | 0.634 | 0.615 | 0.597 | 0.581 | 0.565 | 0.550 | 0.536 | 0.522 | 0.462 | 0.415 | 0.326 | 0.255 | 0.186 | 0.156 |
| <b>DXC-7B</b>  | 1.235   | 1.036 | 1.001 | 0.969 | 0.938 | 0.910 | 0.884 | 0.861 | 0.838 | 0.817 | 0.797 | 0.778 | 0.689 | 0.615 | 0.487 | 0.375 | 0.274 | 0.228 |
| <b>DXC-9B</b>  | 1.632   | 1.368 | 1.321 | 1.277 | 1.237 | 1.200 | 1.166 | 1.135 | 1.107 | 1.080 | 1.054 | 1.029 | 0.909 | 0.813 | 0.692 | 0.492 | 0.356 | 0.294 |
| <b>DXC-11B</b> | 1.808   | 1.626 | 1.593 | 1.560 | 1.525 | 1.488 | 1.449 | 1.408 | 1.367 | 1.327 | 1.288 | 1.252 | 1.103 | 1.003 | 0.807 | 0.667 | 0.495 | 0.411 |
| <b>DXC-13B</b> | 2.171   | 1.929 | 1.889 | 1.848 | 1.806 | 1.763 | 1.718 | 1.672 | 1.625 | 1.580 | 1.535 | 1.493 | 1.318 | 1.195 | 0.964 | 0.787 | 0.587 | 0.486 |
| <b>DXC-15B</b> | 2.530   | 2.230 | 2.180 | 2.132 | 2.083 | 2.033 | 1.981 | 1.929 | 1.876 | 1.825 | 1.776 | 1.730 | 1.537 | 1.395 | 1.077 | 0.903 | 0.680 | 0.560 |
| <b>DXC-17B</b> | 2.892   | 2.519 | 2.460 | 2.403 | 2.347 | 2.292 | 2.236 | 2.181 | 2.126 | 2.072 | 2.020 | 1.970 | 1.751 | 1.580 | 1.238 | 1.015 | 0.768 | 0.631 |
| <b>DXC-19B</b> | 3.130   | 2.694 | 2.630 | 2.570 | 2.511 | 2.457 | 2.408 | 2.360 | 2.314 | 2.270 | 2.229 | 2.189 | 2.005 | 1.827 | 1.448 | 1.212 | 0.924 | 0.753 |
| <b>DXC-21B</b> | 3.651   | 3.143 | 3.059 | 2.982 | 2.913 | 2.847 | 2.784 | 2.724 | 2.655 | 2.592 | 2.530 | 2.471 | 2.208 | 2.006 | 1.598 | 1.339 | 1.010 | 0.817 |
| <b>DXC-23B</b> | 4.036   | 3.446 | 3.350 | 3.257 | 3.169 | 3.083 | 3.000 | 2.919 | 2.840 | 2.766 | 2.695 | 2.627 | 2.344 | 2.134 | 1.723 | 1.412 | 1.065 | 0.859 |
| <b>DXC-25B</b> | 4.352   | 3.725 | 3.620 | 3.520 | 3.424 | 3.331 | 3.241 | 3.153 | 3.069 | 2.989 | 2.912 | 2.840 | 2.534 | 2.306 | 1.846 | 1.513 | 1.162 | 0.937 |
| <b>DXC-27B</b> | 4.816   | 4.125 | 4.007 | 3.895 | 3.788 | 3.685 | 3.586 | 3.491 | 3.400 | 3.313 | 3.230 | 3.151 | 2.812 | 2.558 | 2.092 | 1.664 | 1.242 | 1.021 |
| <b>DXC-29B</b> | 5.125   | 4.440 | 4.274 | 4.153 | 4.038 | 3.927 | 3.821 | 3.720 | 3.623 | 3.530 | 3.442 | 3.359 | 3.000 | 2.729 | 2.210 | 1.761 | 1.307 | 1.068 |
| <b>DXC-31B</b> | 5.424   | 4.665 | 4.531 | 4.403 | 4.281 | 4.164 | 4.052 | 3.946 | 3.844 | 3.747 | 3.654 | 3.566 | 3.186 | 2.895 | 2.338 | 1.851 | 1.366 | 1.109 |
| <b>DXC-33B</b> | 5.718   | 4.926 | 4.784 | 4.648 | 4.519 | 4.396 | 4.278 | 4.166 | 4.059 | 3.957 | 3.861 | 3.768 | 3.367 | 3.058 | 2.460 | 1.938 | 1.421 | 1.148 |
| <b>DXC-35B</b> | 6.003   | 5.181 | 5.031 | 4.888 | 4.751 | 4.621 | 4.497 | 4.379 | 4.267 | 4.160 | 4.059 | 3.962 | 3.544 | 3.220 | 2.561 | 2.023 | 1.474 | 1.184 |

1.250 Specific Gravity

Discharge Rates in kW per Cell\*\* to 1.67Vpc at 25°C (77°F)\*

| Type           | Minutes |       |       |       |       |       |       |       |       |       |       |       |       |       | Hours |       |       |       |
|----------------|---------|-------|-------|-------|-------|-------|-------|-------|-------|-------|-------|-------|-------|-------|-------|-------|-------|-------|
|                | 5       | 10    | 11    | 12    | 13    | 14    | 15    | 16    | 17    | 18    | 19    | 20    | 25    | 30    | 45    | 60    | 1.5   | 2     |
| <b>DXC-5B</b>  | 0.908   | 0.758 | 0.735 | 0.713 | 0.693 | 0.673 | 0.653 | 0.634 | 0.616 | 0.599 | 0.582 | 0.567 | 0.501 | 0.451 | 0.344 | 0.265 | 0.187 | 0.156 |
| <b>DXC-7B</b>  | 1.350   | 1.124 | 1.091 | 1.059 | 1.029 | 1.000 | 0.971 | 0.943 | 0.917 | 0.891 | 0.866 | 0.843 | 0.744 | 0.669 | 0.509 | 0.393 | 0.275 | 0.228 |
| <b>DXC-9B</b>  | 1.785   | 1.483 | 1.437 | 1.395 | 1.355 | 1.317 | 1.280 | 1.245 | 1.212 | 1.179 | 1.148 | 1.117 | 0.982 | 0.882 | 0.729 | 0.515 | 0.358 | 0.294 |
| <b>DXC-11B</b> | 2.154   | 1.891 | 1.832 | 1.774 | 1.718 | 1.663 | 1.610 | 1.560 | 1.512 | 1.467 | 1.425 | 1.385 | 1.220 | 1.099 | 0.846 | 0.678 | 0.497 | 0.411 |
| <b>DXC-13B</b> | 2.585   | 2.239 | 2.166 | 2.096 | 2.028 | 1.964 | 1.903 | 1.845 | 1.791 | 1.740 | 1.691 | 1.645 | 1.450 | 1.299 | 1.000 | 0.804 | 0.591 | 0.486 |
| <b>DXC-15B</b> | 3.016   | 2.580 | 2.493 | 2.410 | 2.331 | 2.256 | 2.185 | 2.120 | 2.057 | 1.999 | 1.944 | 1.893 | 1.675 | 1.505 | 1.135 | 0.927 | 0.684 | 0.560 |
| <b>DXC-17B</b> | 3.447   | 2.908 | 2.808 | 2.712 | 2.622 | 2.538 | 2.459 | 2.387 | 2.319 | 2.255 | 2.195 | 2.139 | 1.900 | 1.707 | 1.280 | 1.047 | 0.772 | 0.631 |
| <b>DXC-19B</b> | 4.007   | 3.244 | 3.133 | 3.028 | 2.935 | 2.848 | 2.767 | 2.692 | 2.622 | 2.558 | 2.495 | 2.437 | 2.184 | 1.977 | 1.537 | 1.263 | 0.943 | 0.765 |
| <b>DXC-21B</b> | 4.413   | 3.750 | 3.615 | 3.494 | 3.380 | 3.275 | 3.180 | 3.091 | 3.006 | 2.927 | 2.852 | 2.782 | 2.468 | 2.217 | 1.713 | 1.404 | 1.049 | 0.842 |
| <b>DXC-23B</b> | 4.716   | 3.969 | 3.845 | 3.728 | 3.616 | 3.510 | 3.408 | 3.312 | 3.220 | 3.132 | 3.048 | 2.968 | 2.625 | 2.352 | 1.792 | 1.440 | 1.073 | 0.859 |
| <b>DXC-25B</b> | 5.094   | 4.282 | 4.132 | 3.991 | 3.860 | 3.739 | 3.628 | 3.528 | 3.434 | 3.347 | 3.264 | 3.186 | 2.835 | 2.537 | 1.932 | 1.550 | 1.168 | 0.937 |
| <b>DXC-27B</b> | 5.651   | 4.740 | 4.591 | 4.451 | 4.318 | 4.192 | 4.072 | 3.958 | 3.849 | 3.745 | 3.646 | 3.552 | 3.142 | 2.809 | 2.112 | 1.714 | 1.247 | 1.021 |
| <b>DXC-29B</b> | 6.026   | 5.050 | 4.891 | 4.741 | 4.599 | 4.465 | 4.337 | 4.216 | 4.100 | 3.990 | 3.885 | 3.785 | 3.350 | 2.994 | 2.234 | 1.821 | 1.315 | 1.068 |
| <b>DXC-31B</b> | 6.392   | 5.350 | 5.181 | 5.022 | 4.871 | 4.729 | 4.593 | 4.465 | 4.343 | 4.227 | 4.116 | 4.011 | 3.551 | 3.171 | 2.350 | 1.922 | 1.372 | 1.109 |
| <b>DXC-33B</b> | 6.756   | 5.645 | 5.465 | 5.296 | 5.137 | 4.986 | 4.844 | 4.710 | 4.582 | 4.461 | 4.345 | 4.235 | 3.751 | 3.347 | 2.467 | 2.023 | 1.429 | 1.148 |
| <b>DXC-35B</b> | 7.108   | 5.932 | 5.742 | 5.563 | 5.396 | 5.238 | 5.088 | 4.947 | 4.814 | 4.687 | 4.566 | 4.450 | 3.945 | 3.519 | 2.575 | 2.119 | 1.482 | 1.184 |

\*kW values listed represent 100% of the initial capacity.  
 \*\*At 77°F (25°C) includes intercell connector drop.  
 All data subject to change without notice.

1.250 Specific Gravity

Discharge Rates in kW per Cell\*\* to 1.63Vpc at 25°C (77°F)\*

| Type           | Minutes |       |       |       |       |       |       |       |       |       |       |       |       |       |       |       | Hours |       |
|----------------|---------|-------|-------|-------|-------|-------|-------|-------|-------|-------|-------|-------|-------|-------|-------|-------|-------|-------|
|                | 5       | 10    | 11    | 12    | 13    | 14    | 15    | 16    | 17    | 18    | 19    | 20    | 25    | 30    | 45    | 60    | 1.5   | 2     |
| <b>DXC-5B</b>  | 0.921   | 0.771 | 0.747 | 0.725 | 0.704 | 0.683 | 0.663 | 0.644 | 0.626 | 0.608 | 0.592 | 0.576 | 0.507 | 0.454 | 0.347 | 0.266 | 0.187 | 0.156 |
| <b>DXC-7B</b>  | 1.368   | 1.146 | 1.110 | 1.077 | 1.045 | 1.015 | 0.986 | 0.957 | 0.930 | 0.904 | 0.879 | 0.856 | 0.753 | 0.674 | 0.513 | 0.393 | 0.275 | 0.228 |
| <b>DXC-9B</b>  | 1.807   | 1.514 | 1.466 | 1.422 | 1.380 | 1.339 | 1.301 | 1.265 | 1.230 | 1.196 | 1.165 | 1.135 | 1.008 | 0.917 | 0.735 | 0.515 | 0.358 | 0.294 |
| <b>DXC-11B</b> | 2.249   | 1.936 | 1.875 | 1.815 | 1.758 | 1.702 | 1.649 | 1.597 | 1.548 | 1.502 | 1.458 | 1.416 | 1.239 | 1.107 | 0.852 | 0.678 | 0.497 | 0.411 |
| <b>DXC-13B</b> | 2.698   | 2.299 | 2.222 | 2.149 | 2.079 | 2.012 | 1.950 | 1.890 | 1.834 | 1.781 | 1.731 | 1.683 | 1.476 | 1.315 | 1.007 | 0.805 | 0.591 | 0.486 |
| <b>DXC-15B</b> | 3.149   | 2.656 | 2.563 | 2.476 | 2.393 | 2.315 | 2.242 | 2.174 | 2.111 | 2.051 | 1.994 | 1.941 | 1.706 | 1.517 | 1.144 | 0.929 | 0.684 | 0.560 |
| <b>DXC-17B</b> | 3.598   | 3.003 | 2.894 | 2.791 | 2.695 | 2.606 | 2.524 | 2.449 | 2.379 | 2.314 | 2.252 | 2.194 | 1.936 | 1.722 | 1.290 | 1.048 | 0.772 | 0.631 |
| <b>DXC-19B</b> | 4.210   | 3.461 | 3.325 | 3.205 | 3.095 | 2.993 | 2.901 | 2.814 | 2.731 | 2.658 | 2.587 | 2.520 | 2.235 | 2.005 | 1.541 | 1.263 | 0.943 | 0.765 |
| <b>DXC-21B</b> | 4.687   | 3.955 | 3.812 | 3.678 | 3.552 | 3.432 | 3.320 | 3.216 | 3.121 | 3.031 | 2.946 | 2.866 | 2.517 | 2.254 | 1.730 | 1.407 | 1.049 | 0.842 |
| <b>DXC-23B</b> | 4.930   | 4.105 | 3.964 | 3.833 | 3.709 | 3.593 | 3.485 | 3.383 | 3.288 | 3.197 | 3.111 | 3.030 | 2.669 | 2.376 | 1.806 | 1.442 | 1.073 | 0.859 |
| <b>DXC-25B</b> | 5.328   | 4.435 | 4.283 | 4.139 | 4.005 | 3.880 | 3.763 | 3.654 | 3.551 | 3.454 | 3.362 | 3.274 | 2.884 | 2.564 | 1.946 | 1.553 | 1.168 | 0.937 |
| <b>DXC-27B</b> | 5.907   | 4.917 | 4.748 | 4.589 | 4.440 | 4.302 | 4.173 | 4.053 | 3.940 | 3.833 | 3.731 | 3.634 | 3.200 | 2.839 | 2.128 | 1.716 | 1.247 | 1.021 |
| <b>DXC-29B</b> | 6.301   | 5.245 | 5.064 | 4.894 | 4.735 | 4.588 | 4.450 | 4.323 | 4.203 | 4.089 | 3.981 | 3.878 | 3.414 | 3.023 | 2.251 | 1.822 | 1.315 | 1.068 |
| <b>DXC-31B</b> | 6.686   | 5.563 | 5.371 | 5.190 | 5.022 | 4.866 | 4.721 | 4.586 | 4.459 | 4.340 | 4.226 | 4.116 | 3.622 | 3.201 | 2.368 | 1.924 | 1.372 | 1.109 |
| <b>DXC-33B</b> | 7.064   | 5.878 | 5.674 | 5.482 | 5.303 | 5.138 | 4.985 | 4.843 | 4.710 | 4.585 | 4.465 | 4.351 | 3.829 | 3.378 | 2.487 | 2.025 | 1.429 | 1.148 |
| <b>DXC-35B</b> | 7.434   | 6.186 | 5.969 | 5.767 | 5.578 | 5.404 | 5.243 | 5.095 | 4.956 | 4.824 | 4.699 | 4.578 | 4.028 | 3.547 | 2.595 | 2.121 | 1.482 | 1.184 |

1.250 Specific Gravity

Discharge Rates in kW per Cell\*\* to 1.60Vpc at 25°C (77°F)\*

| Type           | Minutes |       |       |       |       |       |       |       |       |       |       |       |       |       |       |       | Hours |       |
|----------------|---------|-------|-------|-------|-------|-------|-------|-------|-------|-------|-------|-------|-------|-------|-------|-------|-------|-------|
|                | 5       | 10    | 11    | 12    | 13    | 14    | 15    | 16    | 17    | 18    | 19    | 20    | 25    | 30    | 45    | 60    | 1.5   | 2     |
| <b>DXC-5B</b>  | 0.932   | 0.781 | 0.757 | 0.734 | 0.712 | 0.691 | 0.671 | 0.652 | 0.633 | 0.615 | 0.598 | 0.582 | 0.512 | 0.457 | 0.349 | 0.266 | 0.187 | 0.156 |
| <b>DXC-7B</b>  | 1.382   | 1.162 | 1.125 | 1.091 | 1.058 | 1.027 | 0.997 | 0.968 | 0.941 | 0.914 | 0.889 | 0.865 | 0.760 | 0.678 | 0.516 | 0.394 | 0.275 | 0.228 |
| <b>DXC-9B</b>  | 1.824   | 1.537 | 1.488 | 1.442 | 1.398 | 1.356 | 1.317 | 1.279 | 1.243 | 1.210 | 1.178 | 1.149 | 1.027 | 0.943 | 0.739 | 0.516 | 0.358 | 0.294 |
| <b>DXC-11B</b> | 2.320   | 1.969 | 1.906 | 1.846 | 1.788 | 1.732 | 1.678 | 1.625 | 1.576 | 1.528 | 1.483 | 1.440 | 1.254 | 1.113 | 0.857 | 0.679 | 0.497 | 0.411 |
| <b>DXC-13B</b> | 2.783   | 2.344 | 2.265 | 2.189 | 2.117 | 2.049 | 1.984 | 1.924 | 1.866 | 1.812 | 1.760 | 1.711 | 1.496 | 1.327 | 1.013 | 0.805 | 0.591 | 0.486 |
| <b>DXC-15B</b> | 3.248   | 2.713 | 2.616 | 2.525 | 2.439 | 2.359 | 2.285 | 2.216 | 2.151 | 2.090 | 2.032 | 1.976 | 1.729 | 1.526 | 1.151 | 0.930 | 0.684 | 0.560 |
| <b>DXC-17B</b> | 3.711   | 3.075 | 2.959 | 2.850 | 2.749 | 2.657 | 2.573 | 2.496 | 2.425 | 2.359 | 2.295 | 2.235 | 1.964 | 1.733 | 1.298 | 1.049 | 0.772 | 0.631 |
| <b>DXC-19B</b> | 4.357   | 3.581 | 3.435 | 3.301 | 3.183 | 3.073 | 2.972 | 2.880 | 2.792 | 2.710 | 2.633 | 2.562 | 2.256 | 2.010 | 1.541 | 1.263 | 0.943 | 0.765 |
| <b>DXC-21B</b> | 4.890   | 4.061 | 3.918 | 3.774 | 3.641 | 3.512 | 3.391 | 3.279 | 3.176 | 3.078 | 2.987 | 2.902 | 2.537 | 2.263 | 1.730 | 1.407 | 1.049 | 0.842 |
| <b>DXC-23B</b> | 5.091   | 4.206 | 4.054 | 3.911 | 3.779 | 3.656 | 3.542 | 3.437 | 3.339 | 3.246 | 3.159 | 3.075 | 2.703 | 2.395 | 1.816 | 1.443 | 1.073 | 0.859 |
| <b>DXC-25B</b> | 5.503   | 4.550 | 4.395 | 4.251 | 4.115 | 3.986 | 3.864 | 3.749 | 3.639 | 3.535 | 3.435 | 3.340 | 2.921 | 2.584 | 1.957 | 1.555 | 1.168 | 0.937 |
| <b>DXC-27B</b> | 6.100   | 5.050 | 4.865 | 4.692 | 4.532 | 4.384 | 4.248 | 4.123 | 4.007 | 3.898 | 3.794 | 3.695 | 3.244 | 2.861 | 2.141 | 1.717 | 1.247 | 1.021 |
| <b>DXC-29B</b> | 6.508   | 5.391 | 5.194 | 5.009 | 4.837 | 4.680 | 4.535 | 4.403 | 4.280 | 4.164 | 4.054 | 3.948 | 3.463 | 3.045 | 2.264 | 1.824 | 1.315 | 1.068 |
| <b>DXC-31B</b> | 6.906   | 5.723 | 5.514 | 5.317 | 5.135 | 4.968 | 4.816 | 4.676 | 4.547 | 4.424 | 4.308 | 4.195 | 3.676 | 3.223 | 2.382 | 1.926 | 1.372 | 1.109 |
| <b>DXC-33B</b> | 7.295   | 6.053 | 5.830 | 5.621 | 5.428 | 5.251 | 5.090 | 4.943 | 4.807 | 4.678 | 4.556 | 4.438 | 3.887 | 3.401 | 2.501 | 2.027 | 1.429 | 1.148 |
| <b>DXC-35B</b> | 7.678   | 6.376 | 6.140 | 5.919 | 5.715 | 5.529 | 5.359 | 5.205 | 5.062 | 4.927 | 4.798 | 4.674 | 4.090 | 3.568 | 2.609 | 2.123 | 1.482 | 1.184 |

\*kW values listed represent 100% of the initial capacity.

\*\*At 77°F (25°C) includes intercell connector drop.

All data subject to change without notice.

1.215 Specific Gravity

Discharge Rates in kW per Cell\*\* to 1.75Vpc at 25°C (77°F)\*

| Type   | Minutes |       |       |       |       |       |       |       |       |       |       |       |       |       |       | Hours |       |       |
|--------|---------|-------|-------|-------|-------|-------|-------|-------|-------|-------|-------|-------|-------|-------|-------|-------|-------|-------|
|        | 5       | 10    | 11    | 12    | 13    | 14    | 15    | 16    | 17    | 18    | 19    | 20    | 25    | 30    | 45    | 60    | 1.5   | 2     |
| DXC-5  | 0.757   | 0.634 | 0.614 | 0.594 | 0.576 | 0.559 | 0.543 | 0.528 | 0.514 | 0.500 | 0.487 | 0.475 | 0.420 | 0.377 | 0.296 | 0.232 | 0.169 | 0.142 |
| DXC-7  | 1.123   | 0.942 | 0.910 | 0.881 | 0.853 | 0.828 | 0.804 | 0.782 | 0.762 | 0.743 | 0.725 | 0.707 | 0.626 | 0.559 | 0.443 | 0.341 | 0.249 | 0.207 |
| DXC-9  | 1.484   | 1.244 | 1.201 | 1.161 | 1.124 | 1.091 | 1.060 | 1.032 | 1.006 | 0.982 | 0.958 | 0.935 | 0.826 | 0.739 | 0.629 | 0.447 | 0.324 | 0.267 |
| DXC-11 | 1.644   | 1.478 | 1.448 | 1.418 | 1.386 | 1.353 | 1.317 | 1.280 | 1.243 | 1.206 | 1.171 | 1.138 | 1.003 | 0.912 | 0.734 | 0.606 | 0.450 | 0.374 |
| DXC-13 | 1.974   | 1.754 | 1.717 | 1.680 | 1.642 | 1.603 | 1.562 | 1.520 | 1.478 | 1.436 | 1.396 | 1.358 | 1.198 | 1.086 | 0.876 | 0.715 | 0.534 | 0.442 |
| DXC-15 | 2.300   | 2.027 | 1.982 | 1.938 | 1.894 | 1.848 | 1.801 | 1.753 | 1.706 | 1.659 | 1.615 | 1.572 | 1.397 | 1.268 | 0.979 | 0.821 | 0.618 | 0.509 |
| DXC-17 | 2.629   | 2.290 | 2.236 | 2.185 | 2.134 | 2.084 | 2.033 | 1.983 | 1.933 | 1.884 | 1.837 | 1.791 | 1.592 | 1.436 | 1.125 | 0.923 | 0.698 | 0.574 |
| DXC-19 | 2.845   | 2.449 | 2.391 | 2.336 | 2.283 | 2.234 | 2.189 | 2.145 | 2.104 | 2.064 | 2.026 | 1.990 | 1.823 | 1.661 | 1.316 | 1.102 | 0.840 | 0.684 |
| DXC-21 | 3.319   | 2.857 | 2.781 | 2.711 | 2.648 | 2.588 | 2.531 | 2.476 | 2.414 | 2.356 | 2.300 | 2.246 | 2.007 | 1.824 | 1.453 | 1.217 | 0.918 | 0.742 |
| DXC-23 | 3.669   | 3.133 | 3.045 | 2.961 | 2.881 | 2.803 | 2.727 | 2.653 | 2.582 | 2.514 | 2.450 | 2.389 | 2.131 | 1.940 | 1.566 | 1.284 | 0.968 | 0.781 |
| DXC-25 | 3.956   | 3.386 | 3.291 | 3.200 | 3.113 | 3.028 | 2.946 | 2.867 | 2.790 | 2.717 | 2.647 | 2.582 | 2.304 | 2.096 | 1.678 | 1.375 | 1.056 | 0.852 |
| DXC-27 | 4.378   | 3.750 | 3.643 | 3.541 | 3.443 | 3.350 | 3.260 | 3.174 | 3.091 | 3.012 | 2.937 | 2.865 | 2.556 | 2.325 | 1.902 | 1.513 | 1.129 | 0.928 |
| DXC-29 | 4.659   | 4.000 | 3.885 | 3.776 | 3.671 | 3.570 | 3.474 | 3.382 | 3.294 | 3.209 | 3.129 | 3.053 | 2.727 | 2.481 | 2.009 | 1.601 | 1.188 | 0.971 |
| DXC-31 | 4.931   | 4.241 | 4.119 | 4.003 | 3.892 | 3.786 | 3.684 | 3.587 | 3.494 | 3.406 | 3.322 | 3.242 | 2.896 | 2.632 | 2.125 | 1.683 | 1.242 | 1.008 |
| DXC-33 | 5.198   | 4.478 | 4.349 | 4.226 | 4.108 | 3.996 | 3.889 | 3.787 | 3.690 | 3.598 | 3.510 | 3.426 | 3.061 | 2.780 | 2.236 | 1.762 | 1.292 | 1.044 |
| DXC-35 | 5.457   | 4.710 | 4.574 | 4.444 | 4.319 | 4.201 | 4.088 | 3.981 | 3.879 | 3.782 | 3.690 | 3.602 | 3.222 | 2.927 | 2.328 | 1.839 | 1.340 | 1.076 |

1.215 Specific Gravity

Discharge Rates in kW per Cell\*\* to 1.67Vpc at 25°C (77°F)\*

| Type   | Minutes |       |       |       |       |       |       |       |       |       |       |       |       |       |       | Hours |       |       |
|--------|---------|-------|-------|-------|-------|-------|-------|-------|-------|-------|-------|-------|-------|-------|-------|-------|-------|-------|
|        | 5       | 10    | 11    | 12    | 13    | 14    | 15    | 16    | 17    | 18    | 19    | 20    | 25    | 30    | 45    | 60    | 1.5   | 2     |
| DXC-5  | 0.825   | 0.689 | 0.668 | 0.649 | 0.630 | 0.612 | 0.594 | 0.577 | 0.560 | 0.545 | 0.529 | 0.515 | 0.455 | 0.410 | 0.313 | 0.241 | 0.170 | 0.142 |
| DXC-7  | 1.227   | 1.022 | 0.992 | 0.963 | 0.935 | 0.909 | 0.883 | 0.858 | 0.833 | 0.810 | 0.787 | 0.766 | 0.676 | 0.608 | 0.463 | 0.357 | 0.250 | 0.207 |
| DXC-9  | 1.623   | 1.348 | 1.307 | 1.268 | 1.232 | 1.197 | 1.164 | 1.132 | 1.101 | 1.072 | 1.043 | 1.016 | 0.893 | 0.802 | 0.663 | 0.468 | 0.325 | 0.267 |
| DXC-11 | 1.958   | 1.719 | 1.666 | 1.613 | 1.562 | 1.512 | 1.464 | 1.418 | 1.375 | 1.334 | 1.295 | 1.259 | 1.109 | 0.999 | 0.769 | 0.616 | 0.452 | 0.374 |
| DXC-13 | 2.350   | 2.035 | 1.969 | 1.905 | 1.844 | 1.785 | 1.730 | 1.678 | 1.628 | 1.581 | 1.537 | 1.496 | 1.318 | 1.181 | 0.909 | 0.731 | 0.537 | 0.442 |
| DXC-15 | 2.742   | 2.345 | 2.267 | 2.191 | 2.119 | 2.051 | 1.987 | 1.927 | 1.870 | 1.817 | 1.768 | 1.721 | 1.523 | 1.368 | 1.032 | 0.843 | 0.622 | 0.509 |
| DXC-17 | 3.134   | 2.644 | 2.553 | 2.466 | 2.384 | 2.307 | 2.236 | 2.170 | 2.108 | 2.050 | 1.996 | 1.945 | 1.727 | 1.552 | 1.164 | 0.952 | 0.702 | 0.574 |
| DXC-19 | 3.643   | 2.949 | 2.848 | 2.753 | 2.668 | 2.589 | 2.515 | 2.447 | 2.384 | 2.325 | 2.268 | 2.215 | 1.985 | 1.797 | 1.397 | 1.148 | 0.857 | 0.696 |
| DXC-21 | 4.012   | 3.409 | 3.286 | 3.176 | 3.073 | 2.977 | 2.891 | 2.810 | 2.733 | 2.661 | 2.593 | 2.529 | 2.244 | 2.015 | 1.557 | 1.276 | 0.953 | 0.766 |
| DXC-23 | 4.287   | 3.608 | 3.495 | 3.389 | 3.288 | 3.191 | 3.099 | 3.011 | 2.927 | 2.847 | 2.771 | 2.699 | 2.386 | 2.138 | 1.629 | 1.309 | 0.975 | 0.781 |
| DXC-25 | 4.631   | 3.893 | 3.757 | 3.628 | 3.509 | 3.399 | 3.299 | 3.207 | 3.122 | 3.043 | 2.968 | 2.896 | 2.577 | 2.306 | 1.756 | 1.409 | 1.062 | 0.852 |
| DXC-27 | 5.137   | 4.309 | 4.174 | 4.046 | 3.926 | 3.811 | 3.702 | 3.598 | 3.499 | 3.405 | 3.315 | 3.229 | 2.856 | 2.554 | 1.920 | 1.558 | 1.134 | 0.928 |
| DXC-29 | 5.478   | 4.591 | 4.446 | 4.310 | 4.181 | 4.059 | 3.943 | 3.833 | 3.727 | 3.627 | 3.532 | 3.441 | 3.045 | 2.722 | 2.031 | 1.655 | 1.195 | 0.971 |
| DXC-31 | 5.811   | 4.864 | 4.710 | 4.565 | 4.428 | 4.299 | 4.176 | 4.059 | 3.948 | 3.843 | 3.742 | 3.646 | 3.228 | 2.883 | 2.136 | 1.747 | 1.247 | 1.008 |
| DXC-33 | 6.142   | 5.132 | 4.968 | 4.814 | 4.670 | 4.533 | 4.404 | 4.282 | 4.166 | 4.055 | 3.950 | 3.850 | 3.410 | 3.043 | 2.243 | 1.839 | 1.299 | 1.044 |
| DXC-35 | 6.462   | 5.393 | 5.220 | 5.058 | 4.905 | 4.762 | 4.626 | 4.498 | 4.376 | 4.261 | 4.151 | 4.046 | 3.586 | 3.199 | 2.341 | 1.926 | 1.347 | 1.076 |

\*kW values listed represent 100% of the initial capacity.

\*\*At 77°F (25°C) includes intercell connector drop.

All data subject to change without notice.

1.215 Specific Gravity

Discharge Rates in kW per Cell\*\* to 1.63Vpc at 25°C (77°F)\*

| Type   | Minutes |       |       |       |       |       |       |       |       |       |       |       |       |       |       |       | Hours |       |
|--------|---------|-------|-------|-------|-------|-------|-------|-------|-------|-------|-------|-------|-------|-------|-------|-------|-------|-------|
|        | 5       | 10    | 11    | 12    | 13    | 14    | 15    | 16    | 17    | 18    | 19    | 20    | 25    | 30    | 45    | 60    | 1.5   | 2     |
| DXC-5  | 0.838   | 0.701 | 0.680 | 0.659 | 0.640 | 0.621 | 0.603 | 0.586 | 0.569 | 0.553 | 0.538 | 0.523 | 0.461 | 0.413 | 0.315 | 0.242 | 0.170 | 0.142 |
| DXC-7  | 1.244   | 1.041 | 1.009 | 0.979 | 0.950 | 0.923 | 0.896 | 0.870 | 0.846 | 0.822 | 0.799 | 0.778 | 0.685 | 0.613 | 0.466 | 0.358 | 0.250 | 0.207 |
| DXC-9  | 1.643   | 1.376 | 1.333 | 1.293 | 1.254 | 1.218 | 1.183 | 1.150 | 1.118 | 1.088 | 1.059 | 1.032 | 0.916 | 0.833 | 0.668 | 0.469 | 0.325 | 0.267 |
| DXC-11 | 2.044   | 1.760 | 1.704 | 1.650 | 1.598 | 1.547 | 1.499 | 1.452 | 1.408 | 1.365 | 1.325 | 1.287 | 1.127 | 1.006 | 0.775 | 0.617 | 0.452 | 0.374 |
| DXC-13 | 2.453   | 2.090 | 2.020 | 1.954 | 1.890 | 1.829 | 1.772 | 1.718 | 1.667 | 1.619 | 1.573 | 1.530 | 1.342 | 1.195 | 0.916 | 0.732 | 0.537 | 0.442 |
| DXC-15 | 2.863   | 2.414 | 2.330 | 2.251 | 2.175 | 2.104 | 2.038 | 1.977 | 1.919 | 1.865 | 1.813 | 1.764 | 1.551 | 1.379 | 1.040 | 0.844 | 0.622 | 0.509 |
| DXC-17 | 3.271   | 2.730 | 2.631 | 2.537 | 2.450 | 2.369 | 2.295 | 2.227 | 2.163 | 2.104 | 2.048 | 1.995 | 1.760 | 1.565 | 1.173 | 0.953 | 0.702 | 0.574 |
| DXC-19 | 3.827   | 3.146 | 3.023 | 2.914 | 2.814 | 2.721 | 2.637 | 2.558 | 2.483 | 2.416 | 2.352 | 2.291 | 2.032 | 1.823 | 1.401 | 1.148 | 0.857 | 0.696 |
| DXC-21 | 4.261   | 3.595 | 3.465 | 3.344 | 3.229 | 3.120 | 3.018 | 2.924 | 2.837 | 2.755 | 2.678 | 2.605 | 2.288 | 2.049 | 1.573 | 1.279 | 0.953 | 0.766 |
| DXC-23 | 4.482   | 3.731 | 3.604 | 3.484 | 3.372 | 3.267 | 3.168 | 3.076 | 2.989 | 2.907 | 2.829 | 2.754 | 2.427 | 2.160 | 1.642 | 1.311 | 0.975 | 0.781 |
| DXC-25 | 4.844   | 4.032 | 3.893 | 3.763 | 3.641 | 3.528 | 3.421 | 3.322 | 3.229 | 3.140 | 3.056 | 2.976 | 2.622 | 2.331 | 1.769 | 1.412 | 1.062 | 0.852 |
| DXC-27 | 5.370   | 4.470 | 4.316 | 4.172 | 4.037 | 3.911 | 3.793 | 3.684 | 3.581 | 3.484 | 3.392 | 3.303 | 2.209 | 2.581 | 1.935 | 1.560 | 1.134 | 0.928 |
| DXC-29 | 5.728   | 4.768 | 4.604 | 4.449 | 4.305 | 4.171 | 4.046 | 3.930 | 3.821 | 3.718 | 3.620 | 3.526 | 3.104 | 2.748 | 2.046 | 1.657 | 1.195 | 0.971 |
| DXC-31 | 6.078   | 5.058 | 4.883 | 4.719 | 4.566 | 4.423 | 4.291 | 4.169 | 4.054 | 3.945 | 3.842 | 3.742 | 3.293 | 2.910 | 2.153 | 1.749 | 1.247 | 1.008 |
| DXC-33 | 6.422   | 5.344 | 5.158 | 4.983 | 4.821 | 4.671 | 4.531 | 4.403 | 4.282 | 4.168 | 4.059 | 3.955 | 3.481 | 3.071 | 2.261 | 1.841 | 1.299 | 1.044 |
| DXC-35 | 6.758   | 5.623 | 5.427 | 5.243 | 5.071 | 4.913 | 4.767 | 4.631 | 4.505 | 4.386 | 4.271 | 4.162 | 3.661 | 3.225 | 2.359 | 1.928 | 1.347 | 1.076 |

1.215 Specific Gravity

Discharge Rates in kW per Cell\*\* to 1.60Vpc at 25°C (77°F)\*

| Type   | Minutes |       |       |       |       |       |       |       |       |       |       |       |       |       |       |       | Hours |       |
|--------|---------|-------|-------|-------|-------|-------|-------|-------|-------|-------|-------|-------|-------|-------|-------|-------|-------|-------|
|        | 5       | 10    | 11    | 12    | 13    | 14    | 15    | 16    | 17    | 18    | 19    | 20    | 25    | 30    | 45    | 60    | 1.5   | 2     |
| DXC-5  | 0.847   | 0.710 | 0.688 | 0.667 | 0.647 | 0.628 | 0.610 | 0.592 | 0.576 | 0.559 | 0.544 | 0.529 | 0.465 | 0.415 | 0.317 | 0.242 | 0.170 | 0.142 |
| DXC-7  | 1.256   | 1.056 | 1.023 | 0.992 | 0.962 | 0.933 | 0.906 | 0.880 | 0.855 | 0.831 | 0.808 | 0.787 | 0.691 | 0.616 | 0.469 | 0.358 | 0.250 | 0.207 |
| DXC-9  | 1.658   | 1.397 | 1.353 | 1.311 | 1.271 | 1.233 | 1.197 | 1.163 | 1.130 | 1.100 | 1.071 | 1.044 | 0.934 | 0.857 | 0.672 | 0.469 | 0.325 | 0.267 |
| DXC-11 | 2.109   | 1.790 | 1.733 | 1.678 | 1.625 | 1.574 | 1.525 | 1.478 | 1.432 | 1.389 | 1.348 | 1.309 | 1.140 | 1.012 | 0.779 | 0.617 | 0.452 | 0.374 |
| DXC-13 | 2.530   | 2.131 | 2.059 | 1.990 | 1.924 | 1.862 | 1.804 | 1.749 | 1.697 | 1.647 | 1.600 | 1.556 | 1.360 | 1.206 | 0.921 | 0.732 | 0.537 | 0.442 |
| DXC-15 | 2.953   | 2.466 | 2.378 | 2.295 | 2.217 | 2.145 | 2.077 | 2.014 | 1.956 | 1.900 | 1.847 | 1.797 | 1.572 | 1.387 | 1.046 | 0.845 | 0.622 | 0.509 |
| DXC-17 | 3.374   | 2.795 | 2.690 | 2.591 | 2.500 | 2.416 | 2.339 | 2.269 | 2.205 | 2.144 | 2.087 | 2.032 | 1.785 | 1.575 | 1.180 | 0.954 | 0.702 | 0.574 |
| DXC-19 | 3.961   | 3.255 | 3.123 | 3.001 | 2.894 | 2.794 | 2.702 | 2.618 | 2.538 | 2.464 | 2.394 | 2.329 | 2.051 | 1.827 | 1.401 | 1.148 | 0.857 | 0.696 |
| DXC-21 | 4.445   | 3.692 | 3.562 | 3.431 | 3.310 | 3.193 | 3.083 | 2.981 | 2.887 | 2.798 | 2.715 | 2.638 | 2.306 | 2.057 | 1.573 | 1.279 | 0.953 | 0.766 |
| DXC-23 | 4.628   | 3.824 | 3.686 | 3.556 | 3.435 | 3.323 | 3.220 | 3.125 | 3.035 | 2.951 | 2.872 | 2.796 | 2.457 | 2.177 | 1.651 | 1.312 | 0.975 | 0.781 |
| DXC-25 | 5.003   | 4.136 | 3.996 | 3.864 | 3.741 | 3.624 | 3.513 | 3.408 | 3.309 | 3.214 | 3.123 | 3.037 | 2.655 | 2.349 | 1.779 | 1.414 | 1.062 | 0.852 |
| DXC-27 | 5.545   | 4.591 | 4.423 | 4.266 | 4.120 | 3.985 | 3.862 | 3.749 | 3.643 | 3.544 | 3.449 | 3.359 | 2.949 | 2.601 | 1.946 | 1.561 | 1.134 | 0.928 |
| DXC-29 | 5.916   | 4.901 | 4.722 | 4.553 | 4.397 | 4.254 | 4.123 | 4.003 | 3.891 | 3.786 | 3.685 | 3.589 | 3.148 | 2.768 | 2.058 | 1.658 | 1.195 | 0.971 |
| DXC-31 | 6.278   | 5.203 | 5.012 | 4.834 | 4.668 | 4.517 | 4.378 | 4.251 | 4.133 | 4.022 | 3.916 | 3.814 | 3.342 | 2.930 | 2.165 | 1.751 | 1.247 | 1.008 |
| DXC-33 | 6.632   | 5.503 | 5.300 | 5.110 | 4.934 | 4.774 | 4.627 | 4.493 | 4.370 | 4.253 | 4.142 | 4.034 | 3.534 | 3.092 | 2.274 | 1.843 | 1.299 | 1.044 |
| DXC-35 | 6.980   | 5.796 | 5.582 | 5.381 | 5.196 | 5.026 | 4.872 | 4.732 | 4.602 | 4.479 | 4.362 | 4.249 | 3.718 | 3.244 | 2.372 | 1.930 | 1.347 | 1.076 |

\*kW values listed represent 100% of the initial capacity.

\*\*At 77°F (25°C) includes intercell connector drop.

All data subject to change without notice.



[www.enersys.com](http://www.enersys.com)

**EnerSys**  
P.O. Box 14145  
Reading, PA 19612-4145  
USA  
Tel: +1-610-208-1991  
+1-800-538-3627  
Fax: +1-610-372-8613

**EnerSys EMEA**  
Brussels, Belgium  
Tel: +32 (0)2 247 94 47

**EnerSys Asia**  
Guangdong, China  
Tel: +86-755-2689 3639

Represented by:

Printed in U.S.A.  
© 2005 EnerSys. All rights reserved.  
Trademarks and logos are the property  
of EnerSys and its affiliates unless  
otherwise noted.