



NPX-L35 NPX-L35FR

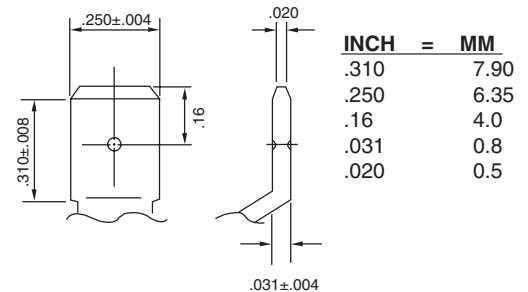
Sealed Rechargeable
Lead-Acid Battery

12V, 35W/Cell-15 min

Specifications

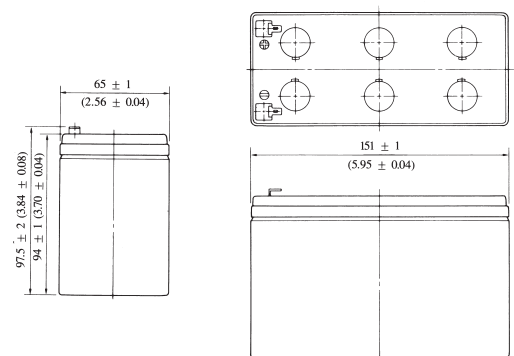
- **NOMINAL VOLTAGE:** 12V
- **NOMINAL WATTAGE/CELL:**
 - 15 min. discharge rate to 1.67V/cell 35
 - 10 min. discharge rate to 1.67V/cell 44
 - 5 min. discharge rate to 1.67V/cell 68
- **NOMINAL CAPACITY:**
 - 10 hr. rate of 0.85A to 10.5V 8.5Ah
 - 5 hr. rate of 1.53A to 10.2V 7.65Ah
 - 1 hr. rate of 6.38A to 9.6V 6.38Ah
- **WEIGHT (approx.):** 5.95 pounds (2.70 kgs.)
- **ENERGY DENSITY (10 hr. rate):** 1.81 WH/cubic inch (111 WH/liter)
- **SPECIFIC ENERGY (10 hr. rate):** 17.1 WH/pound (37.6 WH/kg)
- **INTERNAL RESISTANCE OF CHARGED BATTERY:** 14 milliohms (approx.)
- **MAXIMUM DISCHARGE CURRENT WITH STANDARD TERMINALS:** 40 amperes
- **MAXIMUM SHORT-DURATION DISCHARGE CURRENT:** 210 amperes
- **OPERATING TEMPERATURE RANGE:**
 - CHARGE 5°F to 122°F (-15°C to 50°C)
 - DISCHARGE -4°F to 140°F (-20°C to 60°C)
- **CHARGE RETENTION (shelf life) at 68°F (20°C):**
 - 1 month 97%
 - 3 months 91%
 - 6 months 85%
- **LIFE EXPECTANCY:**
 - STANDBY USE 5 to 8 years
 - CYCLE USE (approx.):
 - 100% depth of discharge 250 cycles
 - 50% depth of discharge 550 cycles
 - 30% depth of discharge 1200 cycles
- **SEALED CONSTRUCTION:** Can be operated in any position without leakage.
- **STANDARD TERMINAL:** Quick Disconnect .250" or optional .187"
- **HOUSING MATERIAL:** ABS Resin
- **OPTIONAL:** Container and cover made from Flame Retardant ABS (UL94-V0/L.O.I.>28%)
- Approved for shipping as non-hazardous, non-spillable

Terminal



DIMENSIONS: MM (INCHES)

Dimensions



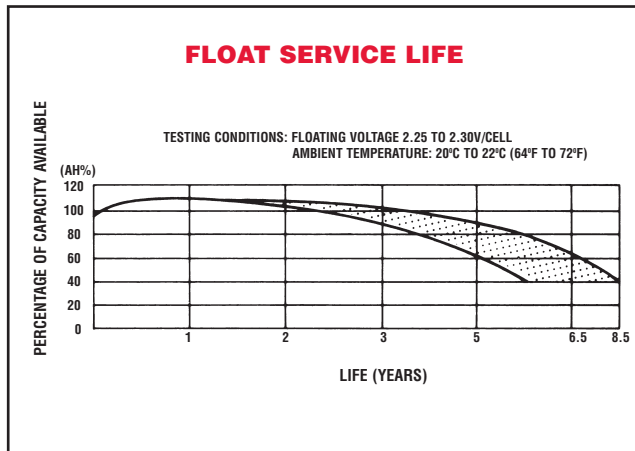
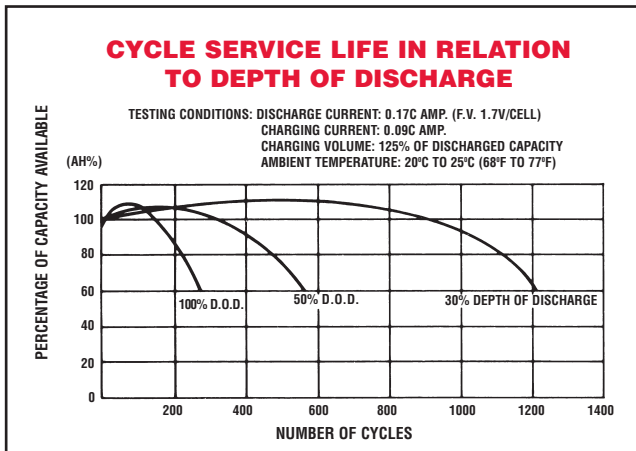
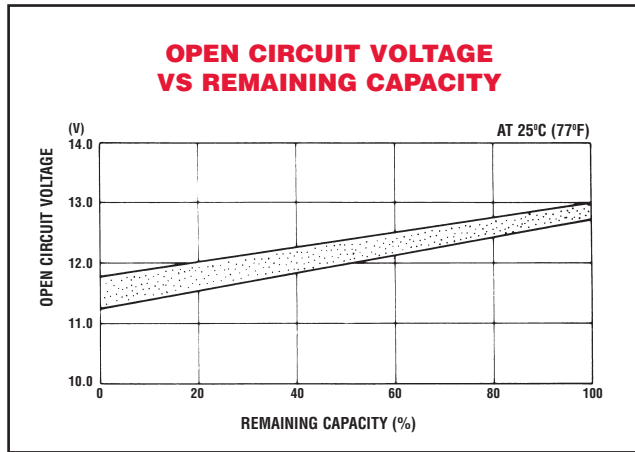
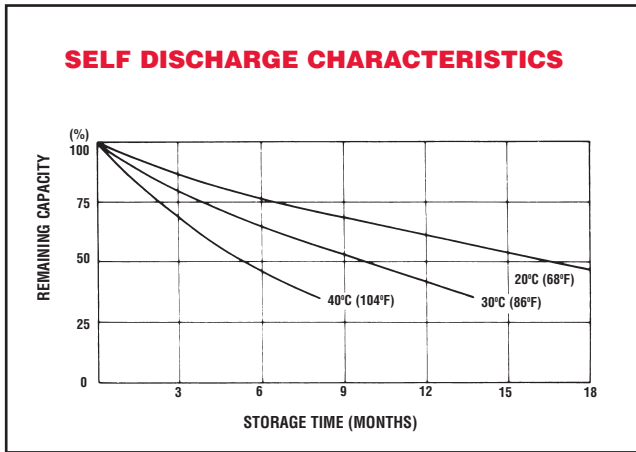
DIMENSIONS: MM (INCHES)

UL listing pending - File No MH16464



NPX-L35 Constant Wattage - Typical Run Times (watts/cell)

Volts/Cell	Minutes							Hours
	5	10	15	20	30	40	50	1
1.75	66.0	42.0	33.0	26.0	20.0	16.2	13.2	11.2
1.70	67.0	43.0	34.0	27.0	20.8	17.0	13.7	11.5
1.67	68.0	44.0	35.0	28.0	21.5	17.6	14.0	11.8
1.60	70.0	46.0	36.0	29.0	22.0	18.2	14.5	12.1
1.50	71.0	47.0	38.0	31.0	23.0	18.8	15.0	12.4



When the battery will be used by current in excess of 3C, consult with EnerSys prior to use.

CHARGING METHODS (At 20°C)

Cycle use: Maximum charging current 2.125A
 Charging voltage 14.4 to 15.0V

Standby use: Float charging voltage 13.50 to 13.80V

- CAUTION**
- Avoid short circuit
 - Do not charge in a sealed container.



EnerSys
 P.O. Box 14145
 Reading, PA 19612-4145
 USA
 Tel: +1-610-208-1991
 +1-800-538-3627

EnerSys EMEA
 Brussels, Belgium
 Tel: +32 (0)2 247 94 47
EnerSys Asia
 Guangdong, China
 Tel: +86 755 2689 3639

Represented by: