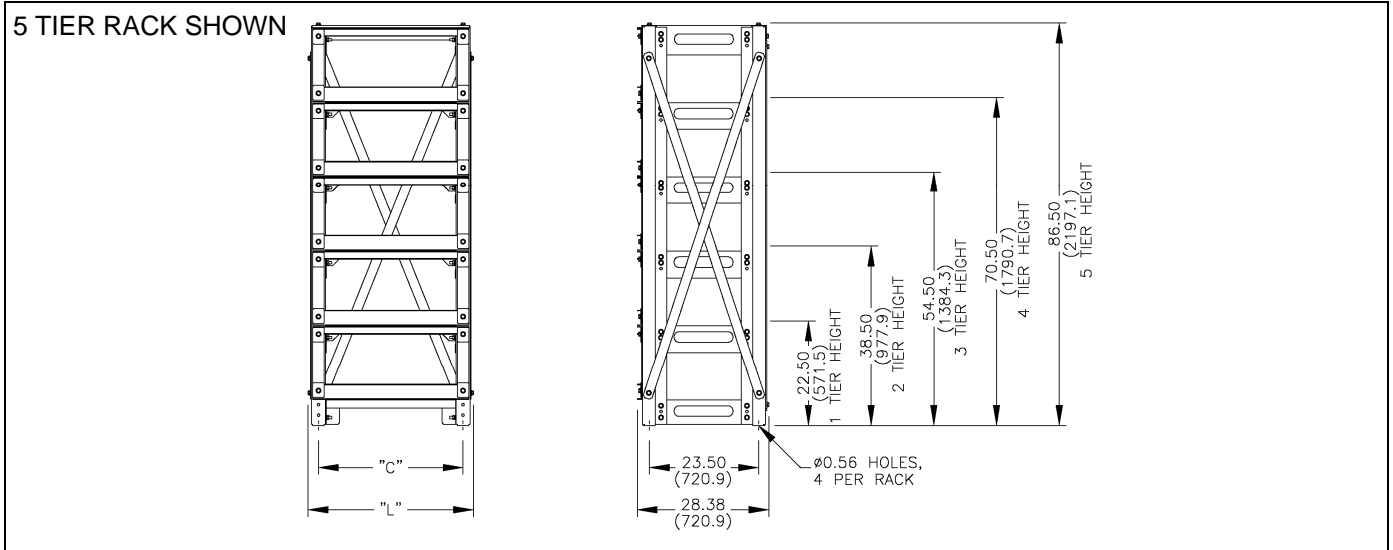


**UBC – Zone 4**  
**16HX800F, 16HX925F**  
**Essential – At or Below Grade**

**Battery Rack**  
 AZMS: UJQ1 – 1 TIER  
 UJQ2 – 2 TIER  
 UJQ3 – 3 TIER  
 UJQ5 – 4 TIER  
 UJQ9 – 5 TIER



LENGTH	HEIGHT	CATALOG NO.	DIMENSIONS				UNPACKED WEIGHT		PACKED WEIGHT	
			L		C		lbs	kg	lbs	kg
			in	mm	in	mm				
4 BLOCS	1 TIER	U16HX9254J1TZ4A	35.81	909.6	31.38	797.1	248	113	298	135
	2 TIER	U16HX9254J2TZ4A					385	175	435	197
	3 TIER	U16HX9254J3TZ4A					524	238	574	260
	4 TIER	U16HX9254J4TZ4A					664	301	714	324
	5 TIER	U16HX9254J5TZ4A					805	365	855	388
5 BLOCS	1 TIER	U16HX9255J1TZ4A	42.75	1085.9	38.31	973.1	273	124	323	147
	2 TIER	U16HX9255J2TZ4A					423	192	473	215
	3 TIER	U16HX9255J3TZ4A					576	261	626	284
	4 TIER	U16HX9255J4TZ4A					729	331	779	353
	5 TIER	U16HX9255J5TZ4A					884	401	934	424
6 BLOCS	1 TIER	U16HX9256J1TZ4A	49.75	1263.7	45.31	1150.9	298	135	348	158
	2 TIER	U16HX9256J2TZ4A					461	209	511	232
	3 TIER	U16HX9256J3TZ4A					627	284	677	307
	4 TIER	U16HX9256J4TZ4A					795	361	845	383
	5 TIER	U16HX9256J5TZ4A					963	437	1013	459

**RACK SPECIFICATIONS:**

**FRAMES:** Steel members covered with gray acid-resistant polyester powder coating  
**HARDWARE:** Zinc-plated steel – RoHS compliant  
**SEISMIC:** Designed using 0.495g lateral loading

**RACK NOTES:**

- Racks are shipped unassembled. All necessary assembly hardware is included – see note 2.
- Each frame must be anchored to the floor. Holes are provided at the base of each frame. Please refer to rack diagram for hole size and spacing. Determining the anchor bolt size and supplying the anchor bolts is the responsibility of the customer.
- For rack installation instructions, please refer to EnerSys® Publication No. US-HXRACK-IM, *Instructions for Assembling DataSafe® HX UBC Battery Racks*.
- Each seismic rack should stand alone with a minimum clearance of 4.0 inches (102 mm) from any other object (walls, other racks, etc.).



**EnerSys**  
 P.O. Box 14145  
 Reading, PA 19612-4145  
 USA  
 Tel: +1-610-208-1991  
 +1-800-538-3627  
 Fax: +1-610-372-8613

**EnerSys EMEA**  
 Brussels, Belgium  
 Tel: +32 (0)2 247 94 47  
  
**EnerSys Asia**  
 Guangdong, China  
 Tel: +86 755 2689 3639

Represented by: