

BATTERY RANGE SUMMARY

The EnerSys® range of PowerSafe® V Front Terminal Valve Regulated Lead Acid (VRLA) batteries has been designed specifically for use in applications that demand the highest levels of quality and reliability, now with optional top termination on many V series models. With proven compliance to the most rigorous international standards, PowerSafe V batteries are recognized worldwide as the premium battery for Telecom applications. The PowerSafe V battery's reputation for long service life, together with excellent high rate performance, also makes it ideal for high integrity, utility-industry switch gear applications.

PowerSafe V batteries deliver superior performance while occupying less space than conventional standby power batteries. The PowerSafe V Front Terminal battery's compact design, suitable for 19 inch, 23 inch and ETSI (European Telecommunications Standards Institute) racking, provides users with the benefit of increased energy density. With electrical connections at the front or on top on many models, installation and inspection are safer, quicker and easier.

PowerSafe V batteries are designed using proven gas recombination VRLA technology, which removes the need for regular water addition by controlling the evolution of hydrogen and oxygen during charging. Each cell incorporates its own safety valve that allows automatically the controlled release of small amounts of gas when pressure builds up within the cell.

The use of gas recombination technology for lead acid batteries has totally changed the concept of standby power. This technology provides the user with the freedom to use lead acid batteries in a wide range of applications.



NCR48-V-170-4

NCR24-V-170-5-B

Features & Benefits

- Capacity range: 31Ah - 170Ah
- 10 year design life
- Front or top terminal connections available on many models for safer installation and maintenance
- Fully Wired 24VDC & 48VDC 23" NCR NEBS™ certified relay racks with top common bus and optional individual string side mounted circuit breakers
- 19" & 23" SpaceSaver™ relay racks with common bus also with optional individual string side mount circuit breakers available
- UL94 V-0 flame retardant container and cover
- High reliability
- Proven long service life
- NEBS certified



Power/Full Solutions

RESERVE
POWER

Construction

- Robust positive plates are designed to prolong service life and enhance corrosion resistance
- Separators are low resistance microporous Absorbed Glass Mat (AGM) fiber. The electrolyte is absorbed within the AGM, preventing acid spills in case of accidental damage
- Container and cover in flame retardant UL94-V0 ABS material, highly resistant to shock and vibration
- Terminals are stainless steel front access M6 studs (10mm wrench) with top access M8 (13mm wrench) copper alloy insert. Top and front access terminations provide maximum conductivity. Retorque connectors at 80% of installation torque. 8V100F does not have top access capability
- Self-regulating one way pressure relief valves prevents ingress of atmospheric oxygen

Installation & Operation

- The PowerSafe® V Front Terminal battery range is designed for safer installation and easy maintenance in cabinets or on stands, close to the point of use. A separate battery room is not necessary
- It is recommended that PowerSafe V Front Terminal batteries are installed on their base
- Recommended float charge voltage (27.36 VDc, 54.72 VDc) at 68°F (20°C) (27.18 VDc, 54.36 VDc) at 77°F (25°C)
- Six-month shelf life
- Reduced maintenance - no water addition required
- Maximum AC ripple voltage 0.5% RMS or 1.5% P.P.
- Operating temperature
On Charger: -4°F (-20°C) to 122°F (50°C)
Off Charger: -20°F (-30°C) to 113°F (45°C)
- Only water should be used to clean cover and container

Standards

- Meets criteria for “non-spillable” batteries. Properly packaged and identified non-spillable batteries are exempt from U.S. and international dangerous goods regulations for ground, sea and air transportation. See applicable regulations and special provisions of the US DOT (U.S. Department of Transportation), ICAO (International Civil Aviation Organization), IATA (The Air Transport Association) and IMDG (International Maritime Code for Dangerous Goods)
- The management systems governing the manufacture of this product are ISO™ 9001:2000 and ISO™ 14001:2004 certified
- Complies with Telcordia® SR-4228, Network Equipment Building System (NEBS™) Criteria Levels

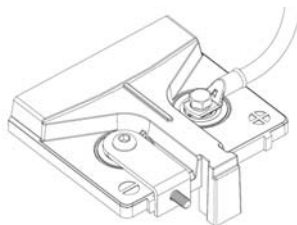
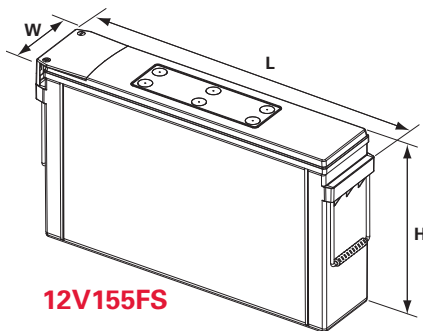
General Specifications

PowerSafe® V Battery Type	Capacity (Ah)				Dimensions						Typical Weight		Short Circuit Current (A)	Internal Resistance (mΩ)	Installation Torque	
	Number of Cells	Nominal Voltage (V)	10 hr rate to 1.80Vpc @ 20°C	8 hr rate to 1.75Vpc @ 77°F	Length		Width		Overall Height		kg	lbs			in-lbs	Nm
					mm	in	mm	in	mm	in						
12V30FT†	6	12	31	31	303	11.9	97	3.8	159	6.3	10.8	23.8	1327	9.87	44	5
12V38FT†	6	12	38	38	303	11.9	97	3.8	184	7.2	12.5	27.6	1500	8.53	44	5
12V62FT†	6	12	62	62	303	11.9	97	3.8	264	10.4	19.7	43.5	2100	5.87	44	5
12V92F-FT*	6	12	92	92	417	16.4	105	4.1	256	10.1	28.0	61.7	2500	5.05	44	5
8V100F*	4	8	100	100	384	15.1	125	4.9	228	9.0	32.0	70.5	3636	2.20	44	5
12V100FC	6	12	100	100	395	15.6	108	4.3	287	11.3	30.8	67.9	1900	6.60	44	5
12V101F	6	12	100	101	510	20.8	110	4.3	235	9.3	33.5	73.9	2108	5.92	80	9
12V105FS*	6	12	105	107	561	22.1	125	4.9	228	9.0	40.5	90.0	2455	4.40	80	9
12V125F*	6	12	125	126	561	22.1	105	4.1	316	12.4	46.0	101.4	2845	5.07	80	9
12V145F*	6	12	145	145	452	17.8	172	6.8	238	9.4	47.6	105.0	4100	3.00	80	9
12V155FS*	6	12	150	155	561	22.1	125	4.9	283	11.1	57.0	125.6	3714	3.30	80	9
12V170F*	6	12	170	170	561	22.1	125	4.9	316	12.4	67.0	147.7	3667	3.40	80	9
12V170FS*	6	12	170	170	561	22.1	125	4.9	283	11.1	50.5	111.3	2950	4.30	80	9
12V190F*	6	12	190	190	561	22.1	125	4.9	316	12.4	57.3	126.3	3625	3.50	80	9

Notes:

* With rope handles; † Optional handle MISC-0345

Data subject to change without notice



**New Front or Top
Terminal Option**

Telcordia® Values

PowerSafe® Battery Type	CLEI	CPR
8V100F	PWCYAT96AA	135660
12V92F	PWHYAFPPAA	208135
12V100F	PWCYAU6AA	106531
12V125F	PWCYAT26AA	203719
12V105FS	PWHYANTPRA	213661
12V155FS	PWHYAFSPAA	208137
12V170F	PWHYAJNPAA	209645



EnerSys
P.O. Box 14145
Reading, PA 19612-4145
USA
Tel: +1-610-208-1991
+1-800-538-3627
Fax: +1-610-372-8613

EnerSys Europe
Löwenstrasse 32
8001 Zurich, Switzerland

EnerSys Asia
152 Beach Road
Gateway East Building
Level 11
189721 Singapore
Tel: +65 6508 1780

Distributed by: