

Powerware Series

Eaton® Internal Battery Instructions

For use with the Eaton 9155 or
Eaton 9355 (10/15 kVA) UPS



Powering Business Worldwide

Special Symbols

The following are examples of symbols used on the UPS or accessories to alert you to important information:



RISK OF ELECTRIC SHOCK - Observe the warning associated with the risk of electric shock symbol.



CAUTION: REFER TO OPERATOR'S MANUAL - Refer to your operator's manual for additional information, such as important operating and maintenance instructions.



This symbol indicates that you should not discard the UPS or the UPS batteries in the trash. This product contains sealed, lead-acid batteries and must be disposed of properly. For more information, contact your local recycling/reuse or hazardous waste center.



This symbol indicates that you should not discard waste electrical or electronic equipment (WEEE) in the trash. For proper disposal, contact your local recycling/reuse or hazardous waste center.

Eaton and Powerware are registered trademarks of Eaton or its subsidiaries and affiliates. All other trademarks are property of their respective companies.

©Copyright 2006–2015 Eaton, Raleigh, NC, USA. All rights reserved. No part of this document may be reproduced in any way without the express written approval of Eaton.

Table of Contents

| | |
|--|----------|
| 1 Internal Battery Installation | 1 |
| Safety Warnings | 1 |
| Battery Type | 5 |
| Installing the Internal Batteries | 6 |
| Service and Support | 11 |

TABLE OF CONTENTS

Internal Battery Installation

This manual contains important instructions for the Eaton® 9155 or Eaton 9355 (10/15 kVA) UPS that should be followed during installation and maintenance of the internal batteries.

Safety Warnings

IMPORTANT SAFETY INSTRUCTIONS SAVE THESE INSTRUCTIONS

This manual contains important instructions that you should follow during installation and maintenance of the UPS and batteries. Please read all instructions before operating the equipment and save this manual for future reference.

DANGER



This UPS contains **LETHAL VOLTAGES**. All repairs and service should be performed by **AUTHORIZED SERVICE PERSONNEL ONLY**. There are **NO USER SERVICEABLE PARTS** inside the UPS.

WARNING



The UPS is intended to be operated only with batteries installed. When batteries are not installed a tip hazard exists that could result in bodily injury.

CAUTION



- Servicing should be performed by qualified service personnel knowledgeable of batteries and required precautions. Keep unauthorized personnel away from batteries.
- Batteries can present a risk of electrical shock or burn from high short circuit current. The following precautions should be observed: 1) Remove watches, rings, or other metal objects; 2) Use tools with insulated handles; 3) Do not lay tools or metal parts on top of batteries; 4) Disconnect charging source prior to connecting or disconnecting battery terminals.
- When replacing batteries, replace with the same type and number of batteries or battery packs.
- Proper disposal of batteries is required. Refer to your local codes for disposal requirements.
- Never dispose of batteries in a fire. Batteries may explode when exposed to flame.

- Do not open or mutilate the battery or batteries. Released electrolyte is harmful to the skin and eyes and may be extremely toxic.
- Determine if the battery is inadvertently grounded. If inadvertently grounded, remove source of ground. Contact with any part of a grounded battery can result in electrical shock. The likelihood of such shock will be reduced if such grounds are removed during installation and maintenance.



CAUTION

Lead-acid batteries can present a risk of fire because they generate hydrogen gas. The following procedures should be followed:

- Do not smoke when near batteries.
- Do not cause flame or spark in battery area.
- Discharge static electricity from body before touching batteries by first touching a grounded metal surface.

Consignes de Sécurité

CONSIGNES DE SÉCURITÉ IMPORTANTES CONSERVER CES INSTRUCTIONS

Ce manuel comporte des instructions importantes que vous êtes invité à suivre lors de toute procédure d'installation et de maintenance des batteries et de l'onduleur. Veuillez consulter entièrement ces instructions avant de faire fonctionner l'équipement et conserver ce manuel afin de pouvoir vous y reporter ultérieurement.



DANGER!

Cet onduleur contient des TENSIONS MORTELLES. Toute opération d'entretien et de réparation doit être EXCLUSIVEMENT CONFIEE A UN PERSONNEL QUALIFIE AGRÉÉ. AUCUNE PIÈCE RÉPARABLE PAR L'UTILISATEUR ne se trouve dans l'onduleur.



AVERTISSEMENT!

L'onduleur est conçue pour fonctionner seulement avec les batteries installées. Lorsque les batteries ne sont pas installées, il existe un risque de chute pouvant engendrer des dommages corporels.



ATTENTION!

- L'entretien doit être réalisé par du personnel qualifié connaissant bien les batteries et les précautions nécessaires. N'autorisez aucun personnel non qualifié à manipuler les batteries.
- Les batteries peuvent présenter un risque de choc électrique ou de brûlure provenant d'un courant de court-circuit haute intensité. Les précautions suivantes doivent être observées : 1) Retirez montre, bagues ou autres objets métalliques ; 2) Utilisez des outils aux poignées isolantes ; 3) Ne déposez pas d'outils ou de pièces métalliques sur les batteries ; 4) Déconnectez la source de chargement avant de connecter ou de déconnecter les bornes de batterie.
- Remplacez uniquement les batteries par des batteries ou blocs de batteries présentant les mêmes type et numéro.
- Une mise au rebut réglementaire des batteries est obligatoire. Consulter les règlements en vigueur dans votre localité.
- Ne jamais jeter les batteries au feu. L'exposition aux flammes risque de les faire exploser.
- Vous ne devez en aucun cas ni ouvrir ni détruire la ou les batteries. L'électrolyte qui s'en échappe est nuisible à la peau et aux yeux et peut s'avérer extrêmement toxique.
- Déterminez si la batterie est mise à la terre par inadvertance. Si celle-ci est mise à la terre par inadvertance, retirez la source de terre. Tout contact avec une partie d'une batterie mise à la terre peut engendrer un choc électrique. La probabilité d'un tel choc sera réduite si de telles masses sont retirées durant l'installation et la maintenance.



ATTENTION!

Les accumulateurs au plomb-acide peuvent représenter un risque d'incendie, car ils génèrent de l'hydrogène gazeux. Veuillez respecter les procédures ci-dessous :

- Ne pas fumer près des accumulateurs.
- Ne pas produire de flamme ou d'étincelle dans la zone de l'accumulateur.
- Dissiper l'électricité statique de votre corps en touchant une surface reliée à la terre avant de toucher les accumulateurs.

Advertencias de Seguridad

INSTRUCCIONES DE SEGURIDAD IMPORTANTES GUARDE ESTAS INSTRUCCIONES

Este manual contiene instrucciones importantes que debe seguir durante la instalación y el mantenimiento del SIE y de las baterías. Por favor, lea todas las instrucciones antes de poner en funcionamiento el equipo y guarde este manual para referencia en el futuro.

PELIGRO



Este SIE contiene VOLTAJES MORTALES. Todas las reparaciones y el servicio técnico deben ser efectuados **SOLAMENTE POR PERSONAL DE SERVICIO TÉCNICO AUTORIZADO**. No hay **NINGUNA PARTE QUE EL USUARIO PUEDA REPARAR** dentro del SIE.

ADVERTENCIA



El SIE está diseñada para hacerla funcionar solamente con las baterías instaladas. Cuando no están instaladas las baterías, existe un riesgo de inclinación que podría derivar en lesiones corporales.

PRECAUCIÓN



- Personal calificado de servicio que conozca de baterías y esté al tanto de las precauciones requeridas debe darle servicio al equipo. Mantenga al personal no autorizado alejado de las baterías.
- Las baterías pueden constituir un riesgo de descarga eléctrica o quemaduras por corriente alta de corto circuito. Debe tomar las siguientes precauciones: 1) Quítese el reloj, los anillos u otros objetos de metal; 2) Utilice herramientas con manijas aisladas; 3) No coloque las herramientas o piezas de metal en la parte superior de las baterías; 4) Desconecte la fuente de carga antes de conectar o desconectar las terminales de las baterías.
- Cuando se reemplacen las baterías, cámbielas con el mismo tipo y número de baterías o paquetes de baterías.
- Es necesario desechar las baterías de un modo adecuado. Consulte las normas locales para conocer los requisitos pertinentes.
- Nunca deseche las baterías en el fuego. Las baterías pueden explotar si se las expone a la llama.

- No abra ni corte las baterías. El electrolito liberado es peligroso para la piel y los ojos, y puede ser extremadamente tóxico.
- Determine si la batería está accidentalmente conectada a tierra. Si está conectada accidentalmente a tierra, retire la fuente de conexión a tierra. El contacto con cualquier parte de la batería conectada a tierra puede derivar en descarga eléctrica. La probabilidad de una descarga de este tipo se reducirá si se eliminan dichas conexiones a tierra durante la instalación y el mantenimiento.



PRECAUCIÓN

Las baterías de plomo pueden suponer peligro de incendio, ya que generan gas de hidrógeno. Se deben seguir los siguientes procedimientos:

- No fumar cuando se encuentre cerca de las baterías.
- No provocar llamas o chispas en el área de las baterías.
- Tocar primero una superficie metálica conectada a tierra para descargar la electricidad estática del cuerpo antes de tocar las baterías.

Battery Type

The following battery type is supplied in the UPS cabinet. When purchasing UPS cabinets without batteries, only the following type is recommended. Use of any other battery type inside Eaton cabinets will void the product warranty.




CAUTION

When replacing batteries, use the same manufacturer and part number originally supplied with the cabinet to ensure correct harness fit and terminal landing.

| Battery Manufacturer | Eaton Powerware | CSB Battery Technologies, Inc. | EnerSys, Inc. | Japan Storage Battery |
|----------------------|----------------------------------|--------------------------------|---|-------------------------|
| Battery Model | PWHR12120W3FR or PWHR1234W2FR | HRL1234WFR | NP7-12 and NP7-12FR or NPX-35 and NPX-35FR | PX12090 and PE12V7.2 |
| Battery Quantity | 16 per string | 16 per string | 16 per string | 16 per string |

Installing the Internal Batteries

To install the internal batteries:

1. Remove the UPS front covers that have the  symbol. For Extended Battery Modules (EBMs), remove all of the front covers.

Press and release the handle latch at the bottom of each cover and then lift the cover up and off the cabinet (see Figure 1).

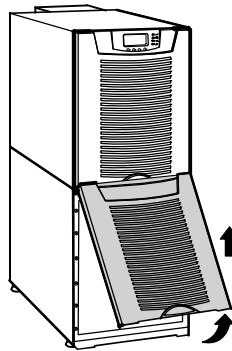


Figure 1. Removing the Front Cover

2. Remove the 10 M4 screws from the battery cover panel and remove the panel on each battery cabinet (see Figure 2).

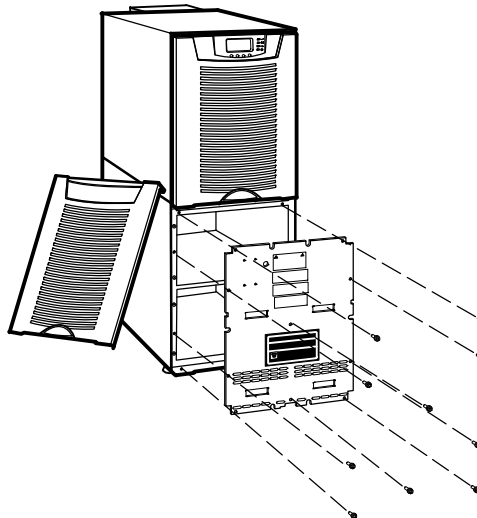


Figure 2. Removing the Battery Cover Panel

- 3. Remove the battery trays and the bag containing the jumper wires.
- 4. Insert the batteries into the battery trays.
- 5. Connect seven jumper wires between the batteries in each tray (see Figure 3).

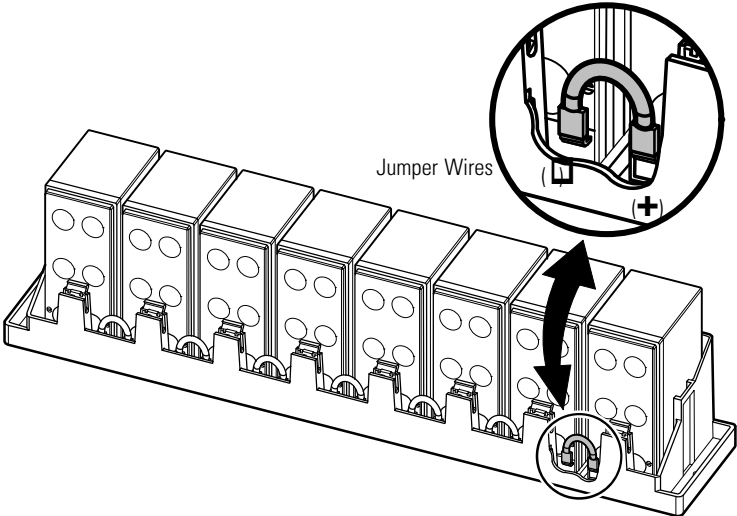


Figure 3. Connecting the Battery Jumper Wires

6. Load the battery trays into the UPS, beginning with the top cabinet, as described below (see Figure 4):

Connect the negative end of the 900 mm jumper wire to the back end of the left battery tray. Partially slide the tray into the UPS. Hold the right tray so that you can connect the positive end of the jumper to the back end of the tray. Route the excess wire in the tray slots. Fully insert both trays.

WARNING



Circuit contains two strings of 16 batteries in parallel. Verify correct polarity prior to making connections.

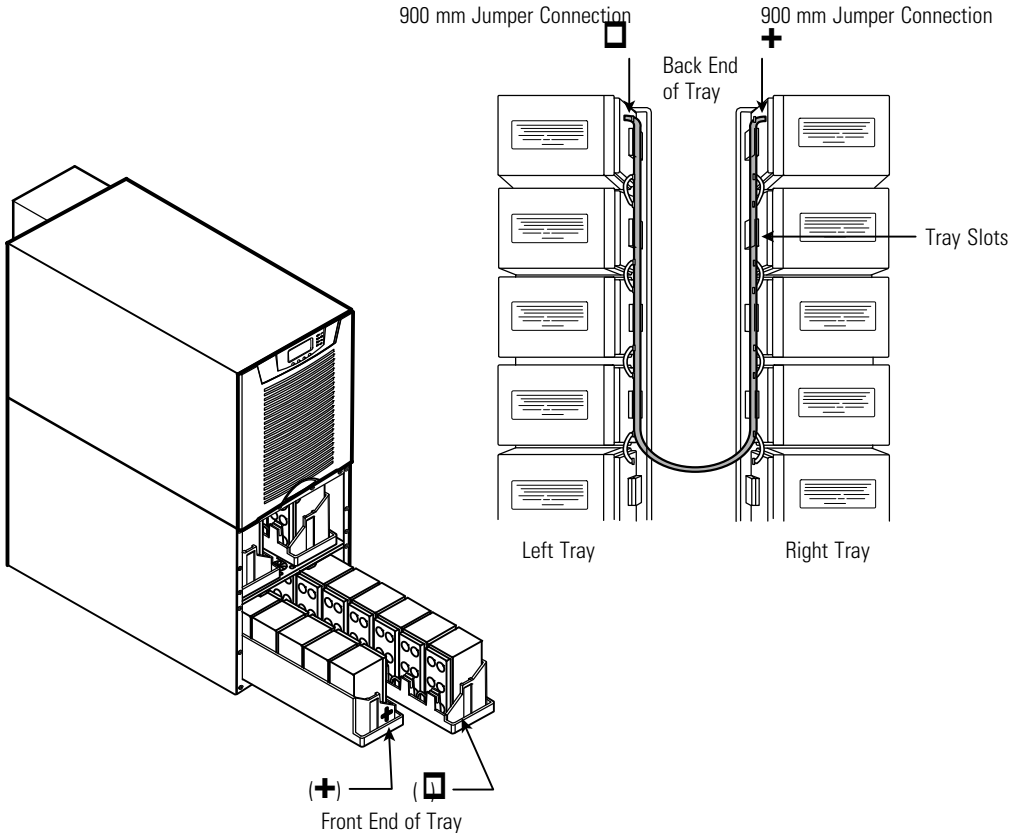


Figure 4. Sliding the Battery Trays into the Cabinet

- 7. Verify that the UPS battery circuit breaker is in the OFF position (see Figure 5).

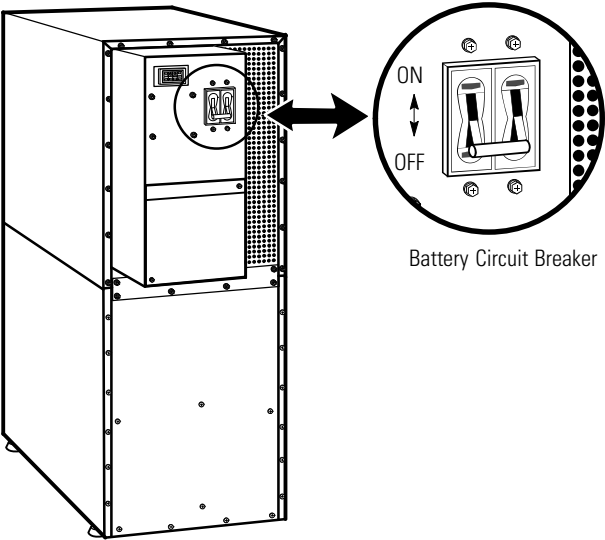


Figure 5. UPS Rear View (Eaton 9155 UPS Shown)

8. Connect wires from the battery circuit breaker (already routed to the front of the UPS) to the battery terminals, as described below (see Figure 6):

Connect the red wire to the positive battery terminal. Connect the black wire to the negative battery terminal. Route the remaining wires through the bushing to the next shelf, if applicable. Repeat until all connections are made.

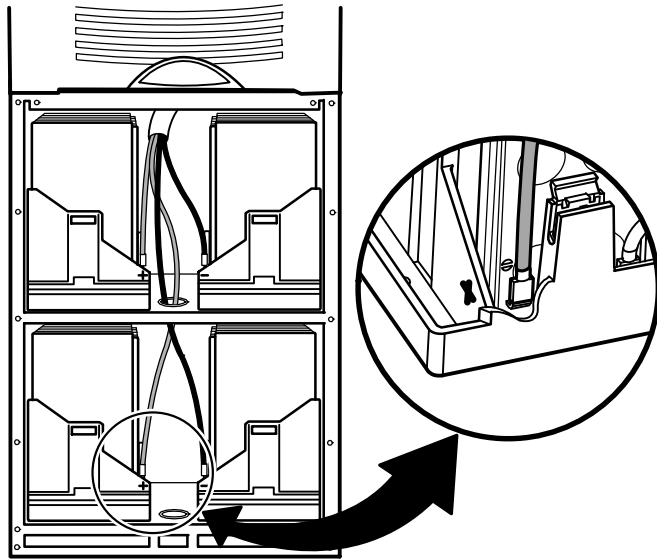


Figure 6. Connecting the Battery Circuit Breaker Wires

9. Reinstall the battery cover panel(s).
10. Replace the front cover(s).

Service and Support

If you have any questions or problems with the UPS, call your **Local Distributor** or the **Help Desk** at one of the following telephone numbers and ask for a UPS technical representative.

United States: **1-800-843-9433** or **1-919-870-3028**

Canada: **1-800-461-9166 ext 260**

All other countries: **Call your local service representative**

Please have the following information ready when you call for service:

- Model number
- Serial number
- Firmware version number
- Date of failure or problem
- Symptoms of failure or problem
- Customer return address and contact information

INTERNAL BATTERY INSTALLATION